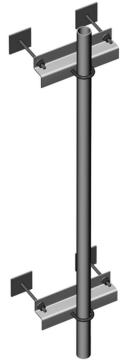


MT-250L



Cantilever Wall Mount Bracket. 5-1/2 in stand-off, pipe not included

Product Classification

Product Type Wall mount kit

Dimensions

Height 101.6 mm | 4.0 in
Length 152.4 mm | 6.0 in
Pipe Outer Diameter 60.3 mm | 2 3/8 in
Weight 11.1 kg | 24.5 lb
Width 368.3 mm | 14.5 in

Environmental Specifications

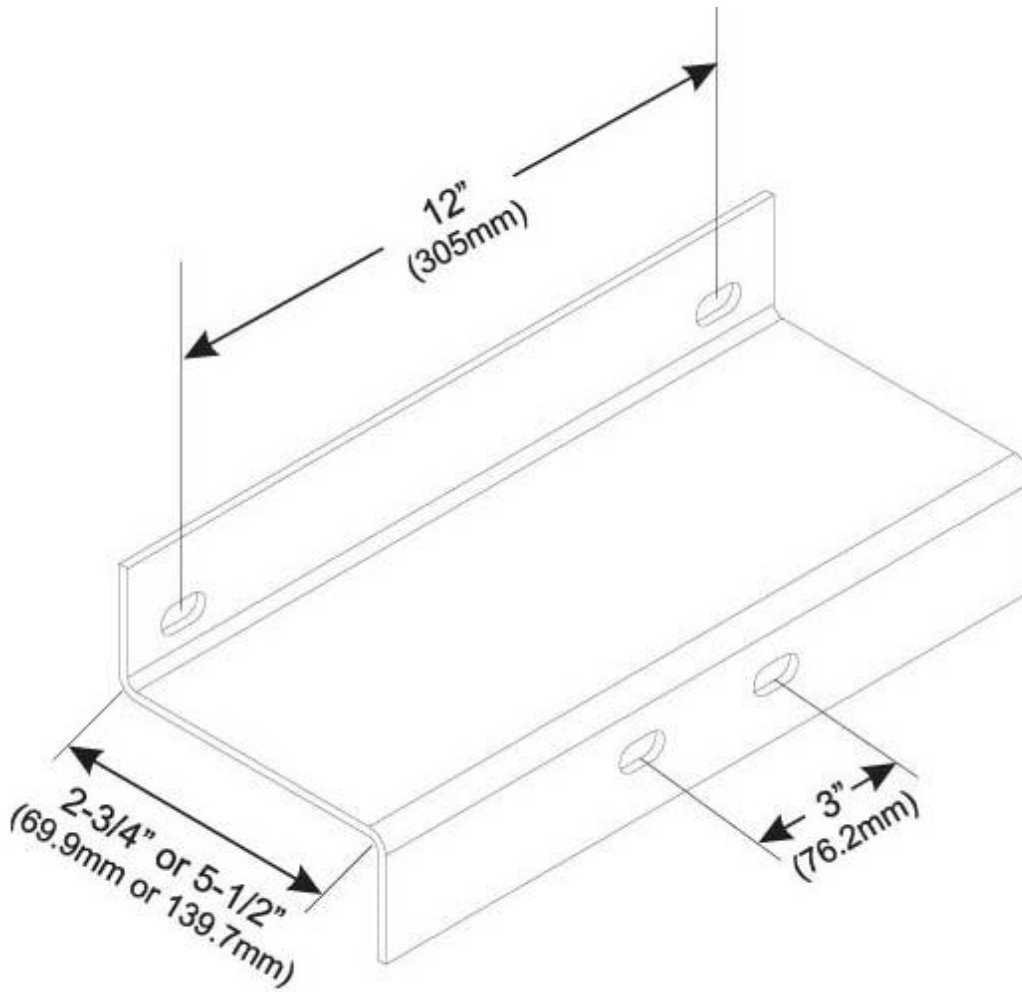
Wind Rating For Specifications, please contact steelproducts@commscope.com or call 800-255-1479

General Specifications

Mounting Walls
Includes Anchors | Brackets (2) | U-bolts | Wall mount hardware
Material Type Hot dip galvanized steel
Package Quantity 2
Stand-off Distance 139.7 mm | 5.5 in

MT-250L

Outline Drawing



Regulatory Compliance/Certifications

Agency	Classification
ISO 9001:2015	Designed, manufactured and/or distributed under this quality management system



* Footnotes

Wind Rating BWS—Base Wind Speed; FBC—Florida Building Code