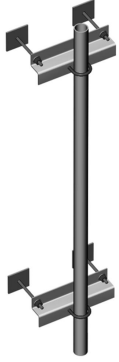


# MT-250

---



Cantilever Wall Mount Bracket, 2-3/4 in stand-off, pipe not included

## Product Classification

**Product Type** Wall mount kit

## Dimensions

**Height** 101.6 mm | 4.0 in  
**Length** 101.6 mm | 4.0 in  
**Pipe Outer Diameter** 60.3 mm | 2 3/8 in  
**Weight** 9.3 kg | 20.6 lb  
**Width** 368.3 mm | 14.5 in

## Environmental Specifications

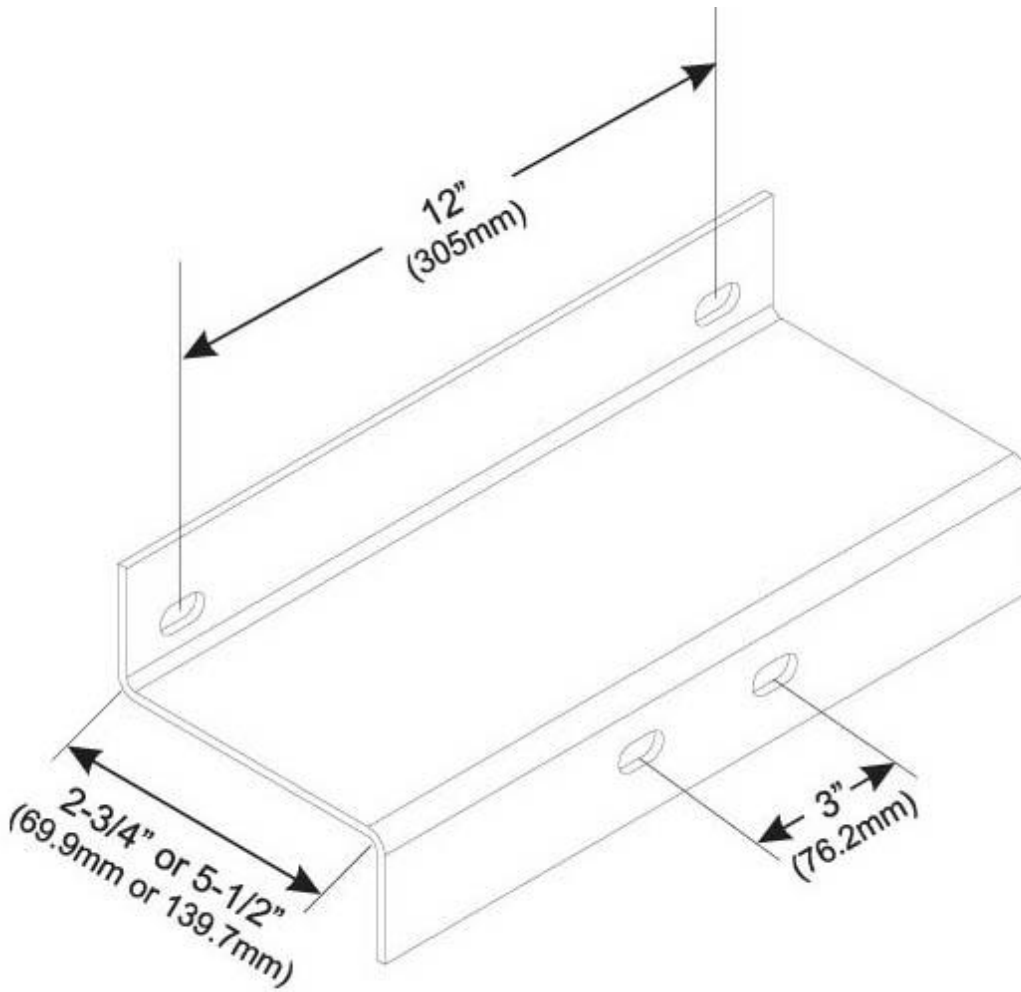
**Wind Rating** For Specifications, please contact [steelproducts@commscope.com](mailto:steelproducts@commscope.com) or call 800-255-1479

## General Specifications

**Mounting** Walls  
**Includes** Anchors | Brackets (2) | U-bolts | Wall mount hardware  
**Material Type** Hot dip galvanized steel  
**Package Quantity** 2  
**Stand-off Distance** 69.9 mm | 2.8 in

# MT-250

## Outline Drawing



## Regulatory Compliance/Certifications

Agency	Classification
ISO 9001:2015	Designed, manufactured and/or distributed under this quality management system



## \* Footnotes

**Wind Rating**                      BWS—Base Wind Speed; FBC—Florida Building Code