

Backing Plate Kit

Product Classification

Product Type Wall mount kit

Dimensions

Height 254.0 mm | 10.0 in
Length 304.8 mm | 12.0 in
Weight 10.5 kg | 23.1 lb
Width 304.8 mm | 12.0 in

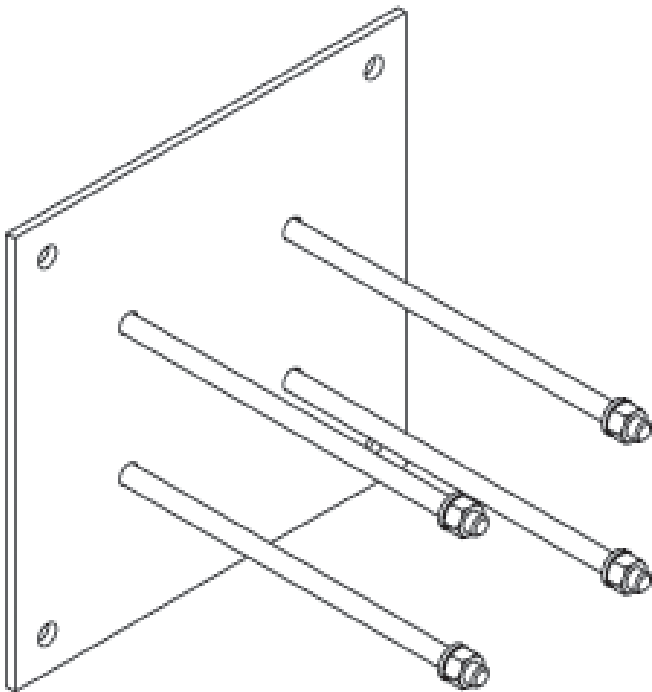
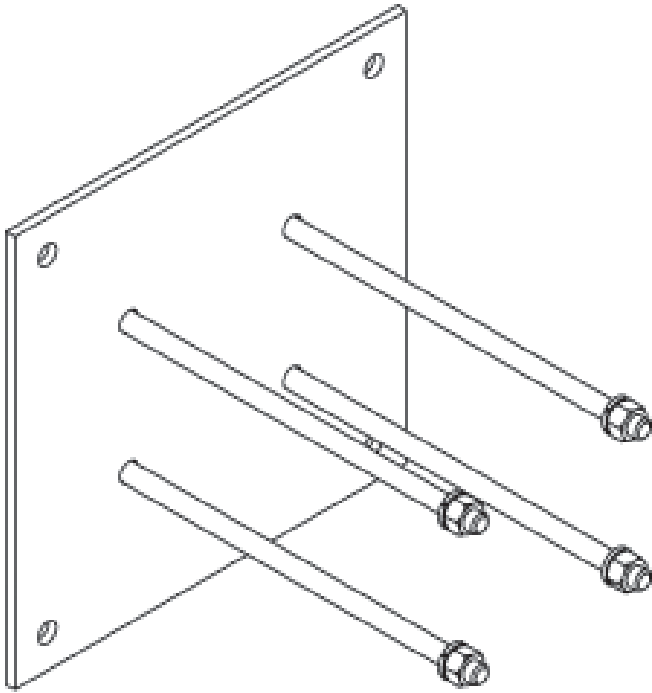
Environmental Specifications

Wind Rating For Specifications, please contact steelproducts@commscope.com or call 800-255-1479

General Specifications

Mounting Walls
Includes Backing plates or anchors | Wall brackets (2)
Material Type Hot dip galvanized steel
Package Quantity 2

Outline Drawing



Regulatory Compliance/Certifications

Agency

ISO 9001:2015

Classification

Designed, manufactured and/or distributed under this quality management system

*** Footnotes****Wind Rating**

BWS—Base Wind Speed; FBC—Florida Building Code