

Adjustable Wall Mount for hollow walls, 12 in stand-off

Product Classification

Product Type Wall mount kit

Dimensions

Height 203.2 mm | 8.0 in
Length 304.8 mm | 12.0 in
Pipe Outer Diameter 2 3/8 in | 2 7/8 in | 3 1/2 in | 4 1/2 in
Weight 34.2 kg | 75.3 lb
Width 203.2 mm | 8.0 in

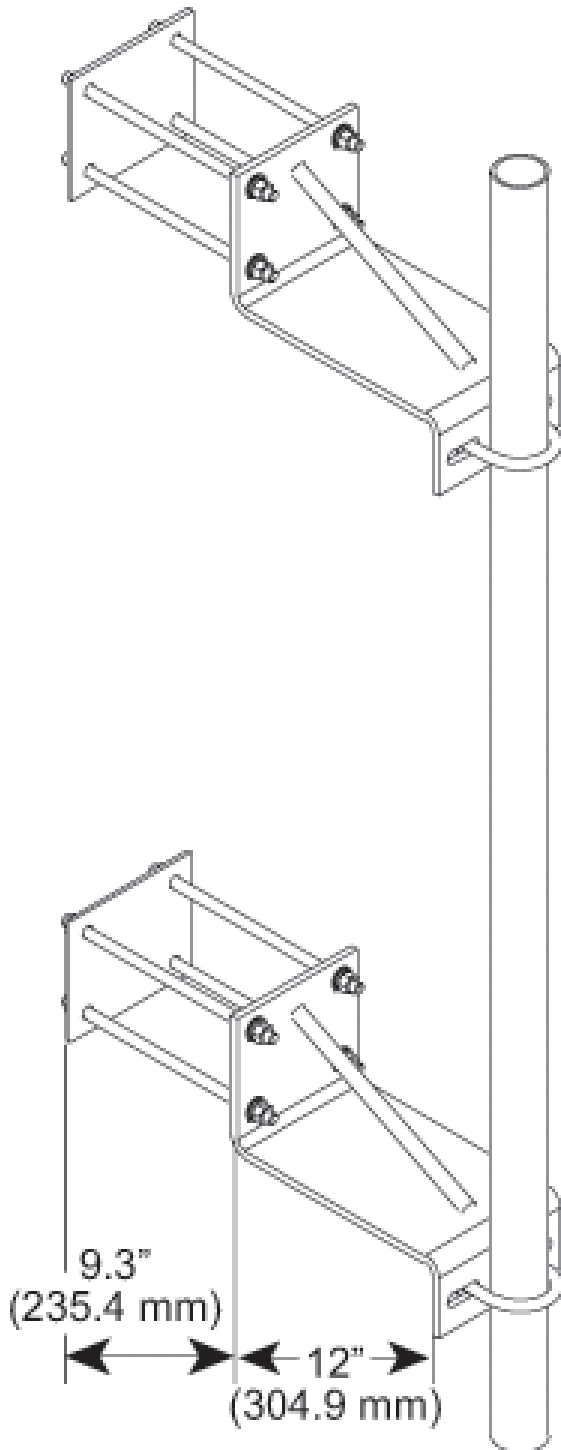
Environmental Specifications

Wind Rating For Specifications, please contact steelproducts@commscope.com or call 800-255-1479

General Specifications

Mounting Hollow walls
Includes Backing plates or anchors | Wall brackets (2)
Material Type Hot dip galvanized steel
Package Quantity 2
Stand-off Distance 304.8 mm | 12.0 in

Outline Drawing



Regulatory Compliance/Certifications

Agency

ISO 9001:2015

Classification

Designed, manufactured and/or distributed under this quality management system

*** Footnotes****Wind Rating**

BWS—Base Wind Speed; FBC—Florida Building Code