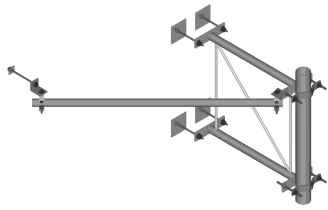


DM-300



Stand-Off Wall Mount for solid and hollow wall, 36 in

Product Classification

Product Type Wall mount kit

Dimensions

Height 838.2 mm | 33.0 in
Length 914.4 mm | 36.0 in
Pipe Outer Diameter 2 3/8 in | 2 7/8 in | 3 1/2 in | 4 1/2 in
Weight 68.4 kg | 150.7 lb
Width 76.2 mm | 3.0 in

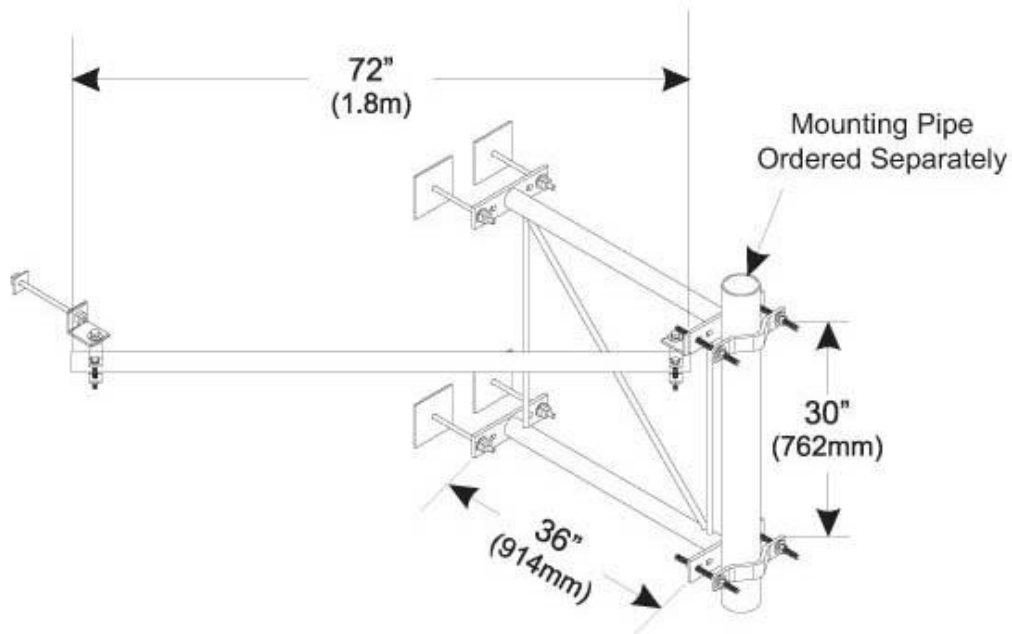
Environmental Specifications

Wind Rating For Specifications, please contact steelproducts@commscope.com or call 800-255-1479

General Specifications

Mounting Walls
Includes Brackets | Stiff arm | Wall mount hardware
Material Type Hot dip galvanized steel
Package Quantity 1
Stand-off Distance 914.4 mm | 36.0 in

Outline Drawing



Regulatory Compliance/Certifications

Agency	Classification
ISO 9001:2015	Designed, manufactured and/or distributed under this quality management system



* Footnotes

Wind Rating BWS—Base Wind Speed; FBC—Florida Building Code