

OTE2 Series, Optical Terminal Enclosure, 16-port full-size connector, no splitter, gray, wall mount

- Optical Terminal Enclosures incorporate hardened connector technology that is designed to withstand the rugged outside plant environment
- Offers a unique solution for splicing, termination and pass-through cable applications in optical drop cable deployments
- Hardened adapters are factory-terminated and environmentally sealed to ensure rapid plug-and play drop cable installations
- The universal cable termination system guarantees easy, fast and reliable cable fixation and manipulations

Product Classification

Product Type	Access terminal, without splitter/tap
Product Series	OTE
Regional Availability	Asia Australia/New Zealand EMEA Latin America

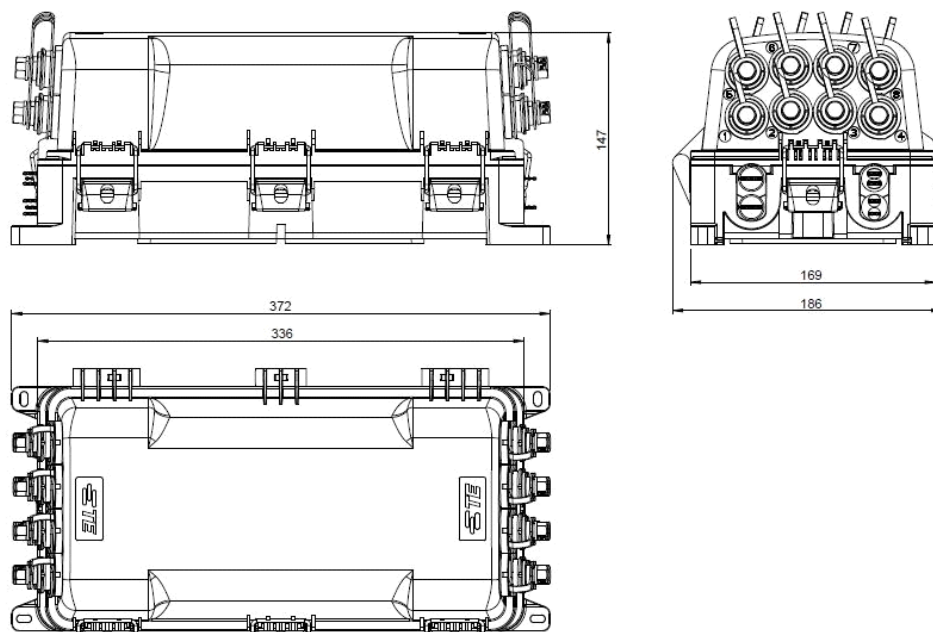
General Specifications

Distribution Type	16 ports
Port, quantity	16
Port Type	Hardened full-size SC/APC
Stub Type	No tail
Application	Accepts fiber drop cables, 7 mm diameter Accepts fiber feeder cables, 10-16 mm diameter For holding up to 5 24-way splice trays Offers up to 16 hardened adapter ports Offers up to 4x4 standard cable ports
Cable, quantity	0
Enclosure Color	Gray
Includes	Cable fixation kit (5) Cable seal kit (4) Enclosure (1) Optical splitter (1) Splice cassette (4) Wall fixation screws (4)
Package, quantity	1
Packaging Type	Box Carton
Splice Tray Included, quantity	4
Splice Tray Type Included	24-way, heat shrink
Splitter, quantity	1

Dimensions

Depth	186.00 mm 7.32 in
Height	147.00 mm 5.79 in
Width	372.00 mm 14.65 in

Dimension Drawing



Mechanical Specifications

Enclosure Material Type	Glass filled polypropylene (GF-PP)
Mount Type	Pole Wall

Optical Specifications

Directivity, minimum	60 dB
Insertion Loss, Splitter, maximum	13.7 dB
Insertion Loss, Splitter, typical	13.1 dB
Insertion Loss, Terminal Connector, maximum	0.40 dB
Insertion Loss, Terminal Connector, typical	0.16 dB
Return Loss, Connector, minimum	65 dB
Return Loss, Splitter, minimum	55 dB
Wavelength Range	1260–1635 nm

Environmental Specifications

Environmental Space	Above ground Below ground Buried
Operating Temperature	-40 °C to +65 °C (-40 °F to +149 °F)
Qualification Standard	IEC 60529, IP65
Relative Humidity	5%–100%, non-condensing
UV Resistance	UV stabilized

Regulatory Compliance/Certifications

Agency

RoHS 2011/65/EU
ISO 9001:2015

Classification

Compliant
Designed, manufactured and/or distributed under this quality management system

