

OTE-06MX-NN-EXTG03



Mini-OTE 300-Series, Optical Terminal Enclosure, 6-port mini-size (DLX®) connector, no splitter, black, with grounding, external mounting

- Hardened connectors are factory-terminated and environmentally sealed for use in optical drop cable deployments
- Plug-and-play adapter ports ensure rapid cable installment in the outside plant access section of the network
- Optical Terminal Enclosures incorporate hardened connector technology that is designed to withstand the rugged outside plant environment
- Accommodates CommScope's field installable splitters and compact CWDMs

Product Classification

Product Type	Access terminal, without splitter/tap
Product Series	Mini-OTE 300
Product Brand	DLX®
Regional Availability	Asia EMEA Latin America North America

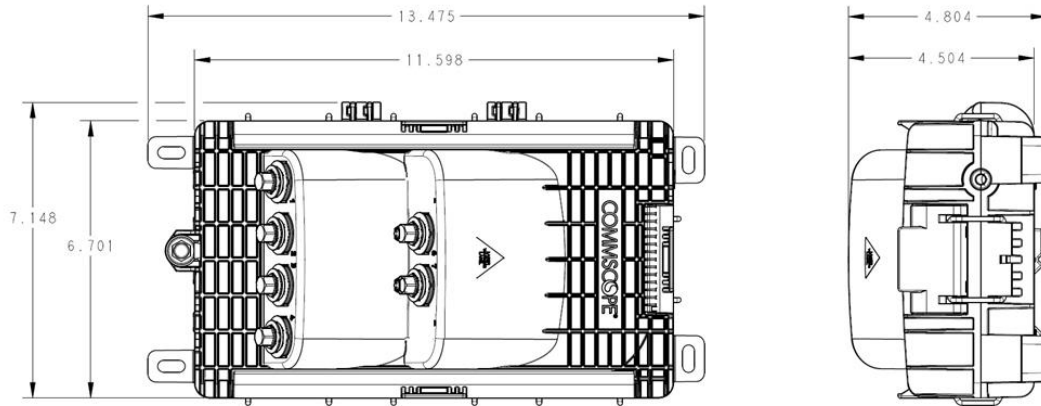
General Specifications

Distribution Type	6 ports
Port, quantity	6
Port Type	Hardened mini-size DLX
Stub Type	No tail
Application	For central core tube ribbon shielded/unshielded fiber cable For flat drop with/without trace wire fiber cable For loose buffer tube standard (72 F) and micro (144 F) fiber cable For round armored up to 0.50 in/12.7 mm diameter fiber cable
Cable, quantity	0
Enclosure Color	Black
Includes	Enclosure (1) Gel-sealed input ports for butt applications (4) Gel-sealed input ports for inline applications (1) Integrated slack storage tray (1) Integrated splice tray (2) Pedestal mounting hardware (1)
Package, quantity	1
Packaging Type	Box Carton
Splitter, quantity	0

Dimensions

Depth	121.92 mm 4.80 in
Height	342.90 mm 13.50 in
Weight, without cable	2.95 kg 6.50 lb
Width	182.88 mm 7.20 in

Dimension Drawing



Mechanical Specifications

Enclosure Material Type	Engineered plastic
Mount Type	Handhole Pedestal Pole Strand

Optical Specifications

Insertion Loss, Terminal Connector, maximum	0.40 dB
Insertion Loss, Terminal Connector, typical	0.16 dB
Return Loss, Connector, minimum	65 dB
Wavelength Range	1260–1635 nm

Environmental Specifications

Environmental Space	Above ground Below ground Buried
Operating Temperature	-40 °C to +60 °C (-40 °F to +140 °F)
Qualification Standard	IEC 60529, IP68 + 2 m waterhead Telcordia GR-771-CORE
Qualification Standard Note	See test report CTR-1016 for details and exceptions
Relative Humidity	5%–95%, non-condensing
UV Resistance	UV stabilized

Regulatory Compliance/Certifications

Agency	Classification
RoHS 2011/65/EU	Compliant
ISO 9001:2015	Designed, manufactured and/or distributed under this quality management system



Included Products

OTE-M-CABLERET-KIT — Mini-OTE 300-Series, Optical Terminal Pole Cable Retention Kit