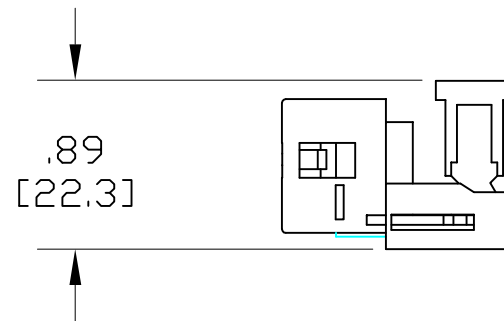
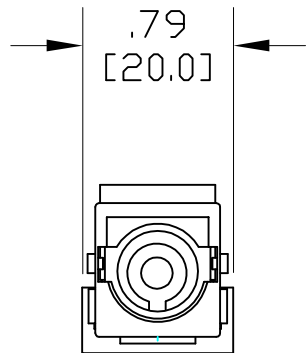


MATERIAL ID	DESCRIPTION	WEIGHT (lbs.)
760005298	M81 TYPE, (RCA 110)	WEIGHT

NOTES:

1. SEE COMMSCOPE CATALOG FOR PART NUMBER SUFFIXES TO INDICATE COLOR/PKG.
2. SEE COMMSCOPE CATALOG FOR COMPLETE LIST OF PARTS RELATED TO THE USE OF THIS PRODUCT.
3. DIMENSIONS IN PARENTHESES ARE IN METRIC.
4. PART INCLUDES:  
(1) ASSEMBLY, M81 RCA 110



M81 TYPE RCA 110

COMMSCOPE, INC HICKORY, NORTH CAROLINA

REV	DATE	ECR	DESCRIPTION	BY
1	8/9/08		INITIAL ISSUE	TWL

DRAWN BY SEW		DWG NO. 760005298
DATE 8/9/08		