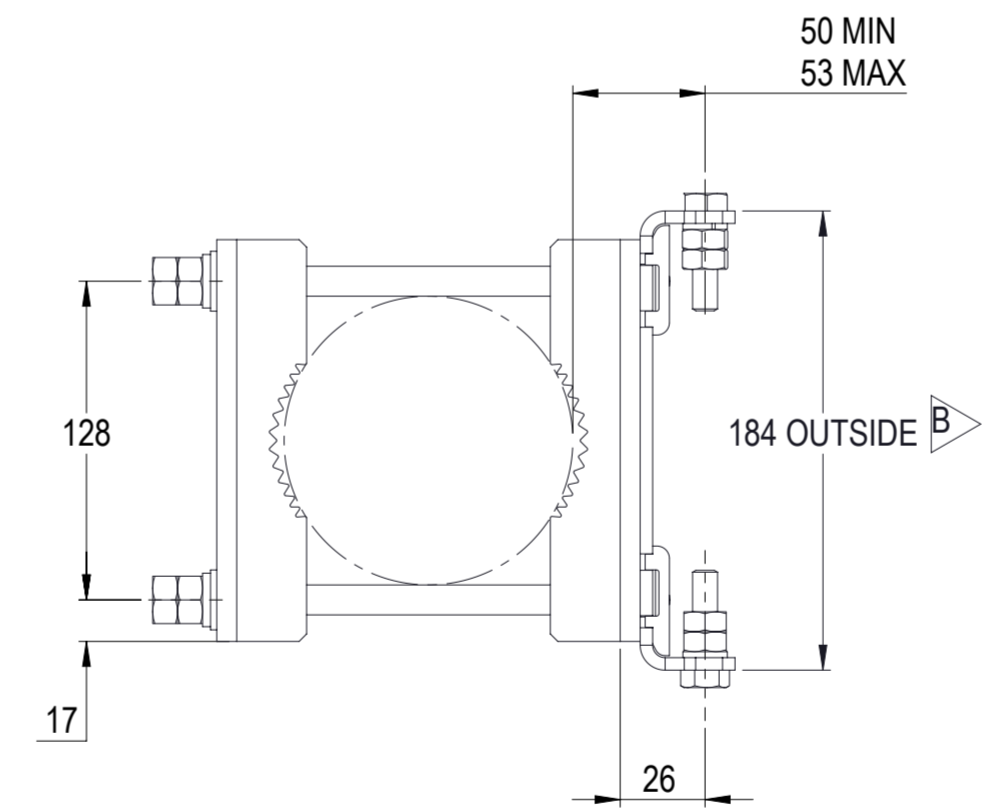
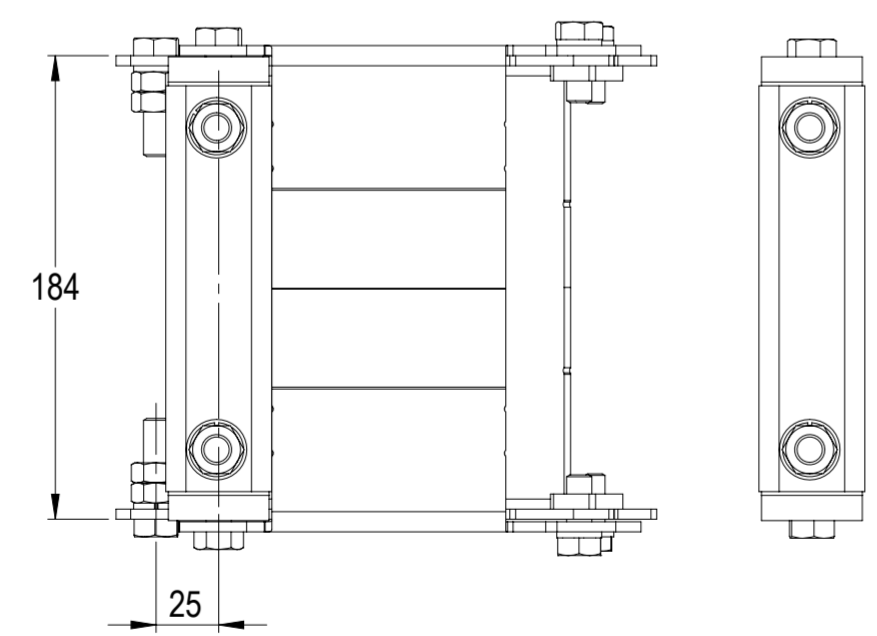
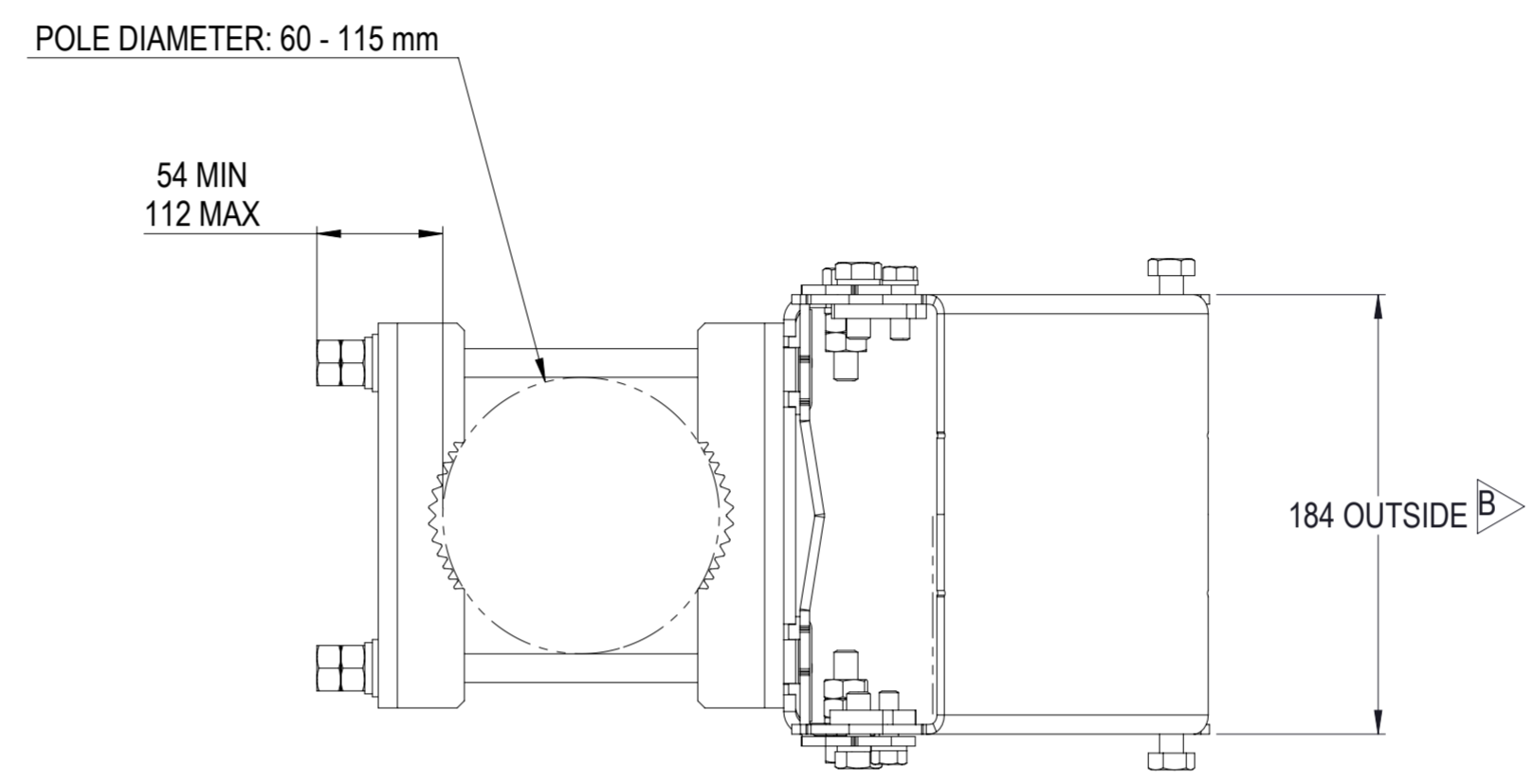
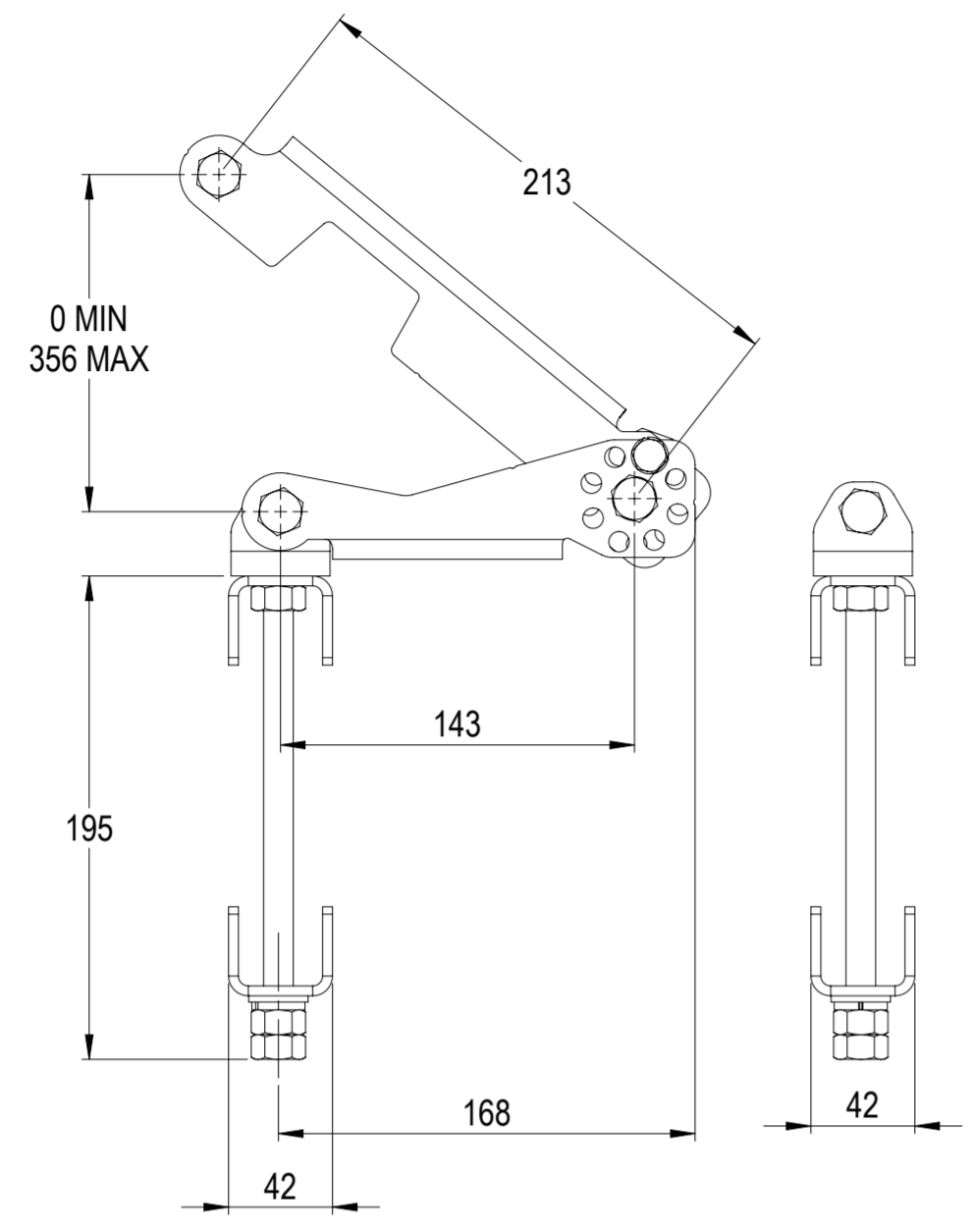


REVISIONS			
REV.	DESCRIPTION	DATE	APPROVED
A	ECR 8000020883: RELEASE TO PRODUCTION PER EAO 604101.	09MAR17 HWN	KDI / WU.BO
B	ECR 8000037116: ADD DIMS.	29AUG19 DXJ	KDI / ZH.JIAN



# BSAMNT-4

DENSITY	g/mm <sup>3</sup>
MASS	grams
VOLUME	mm <sup>3</sup>
SURFACE AREA	mm <sup>2</sup>
HEIGHT	
LENGTH	
WIDTH	

**COMMSCOPE, INC. OF NORTH CAROLINA**

TOLERANCES		SAP MATERIAL MASTER																					
0 PLACE X ±	2 PLACE .XX ±																						
1 PLACE .X ±	ANGLES ±																						
FINISH N/A		MATERIAL N/A																					
<small>UNLESS OTHERWISE SPECIFIED DIMENSIONS ARE IN MILLIMETERS INTERPRET PER ISO STANDARDS HANDBOOK TECHNICAL DRAWINGS VOLUMES 1 &amp; 2, THIRD EDITION (2002)</small>		<table border="1"> <thead> <tr> <th>REV.</th> <th>NAME</th> <th>DATE</th> <th>TITLE</th> </tr> </thead> <tbody> <tr> <td>CE</td> <td>HWN</td> <td>09/03/2017</td> <td rowspan="5" style="text-align: center; vertical-align: middle;">PRODUCT DRAWING</td> </tr> <tr> <td>RW</td> <td>XD1008</td> <td>08/29/2019</td> </tr> <tr> <td>RV</td> <td>KDI</td> <td>09/01/2019</td> </tr> <tr> <td>AD</td> <td>JZ1067</td> <td>09/01/2019</td> </tr> <tr> <td>RE</td> <td>BYUAN</td> <td>09/02/2019</td> </tr> </tbody> </table>		REV.	NAME	DATE	TITLE	CE	HWN	09/03/2017	PRODUCT DRAWING	RW	XD1008	08/29/2019	RV	KDI	09/01/2019	AD	JZ1067	09/01/2019	RE	BYUAN	09/02/2019
REV.	NAME	DATE	TITLE																				
CE	HWN	09/03/2017	PRODUCT DRAWING																				
RW	XD1008	08/29/2019																					
RV	KDI	09/01/2019																					
AD	JZ1067	09/01/2019																					
RE	BYUAN	09/02/2019																					
ECN 8000037116-O		SCALE <b>1:2</b>	DOCUMENT NO. <b>BSAMNT-4-L</b>																				
SIZE <b>A2</b>	WORK AREA 23	MODEL VERSION 00	DRAWING REVISION RE A																				
		VERSION 00	DRAWING REVISION RE A																				
		VERSION 00	DRAWING REVISION RE A																				

SHEET  
1 OF 1