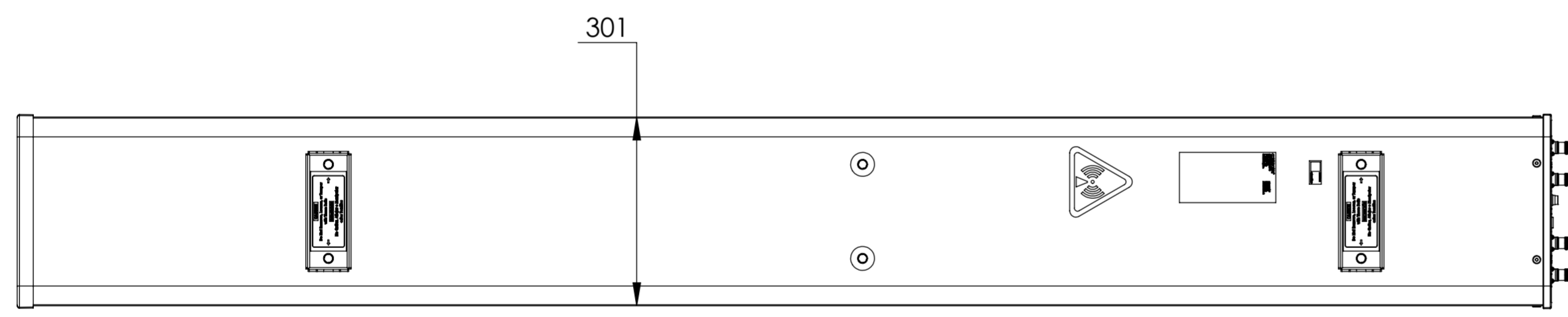
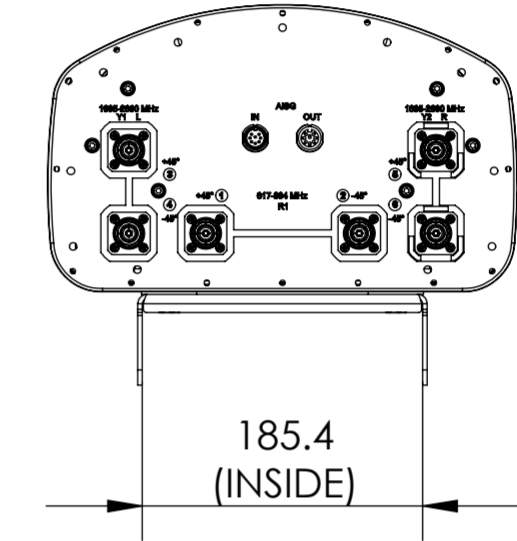
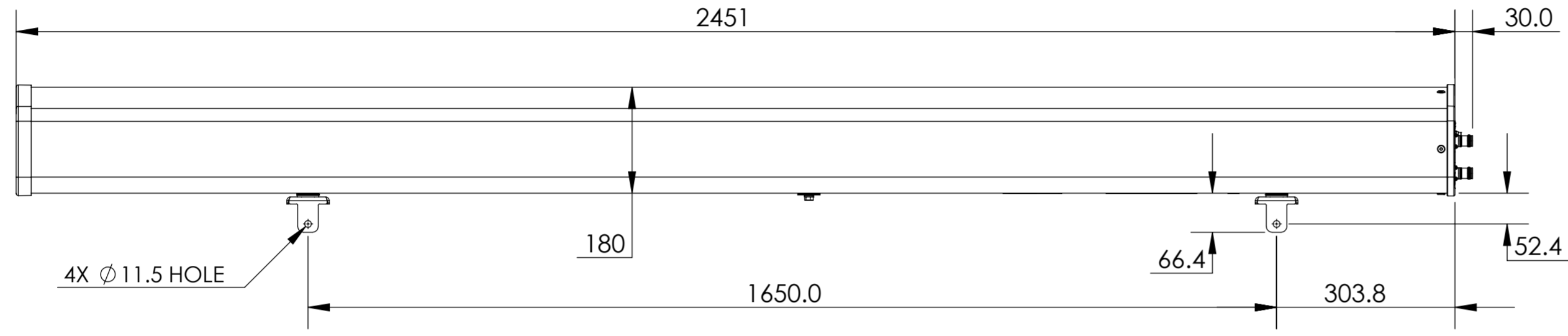


NOTES:

REVISIONS			
REV.	DESCRIPTION	DATE	APPROVED
A	ECR 8000033426: REL TO PRODUCTION PER EAO 606270.	04JUN19 CY	YYC/WRM



FVV-65C-R3

COMMSCOPE, INC. OF NORTH CAROLINA

TOLERANCES		SAP MATERIAL MASTER	
0 PLACE X ±	2 PLACE .XX ±		
1 PLACE .X ±	ANGLES ±		
FINISH		MATERIAL	
<small>UNLESS OTHERWISE SPECIFIED DIMENSIONS ARE IN MILLIMETERS INTERPRET PER ISO STANDARDS HANDBOOK 1 TECHNICAL DRAWINGS VOLUMES 1 & 2, THIRD EDITION (2002)</small>		NAME	DATE
		CE	CY
		RW	04JUN19
		RV	
		AD	
RE		PRODUCT DRAWING	
ECN			
SCALE		DOCUMENT NO.	
1:5		FVV-65C-R3-L	
SIZE	WORK AREA	MODEL	
A2	23	VERSION	STATUS
		REVISION	VERSION
		A	00
		DRAWING	
		REVISION	STATUS
		A	RE
		00	A
		SHEET	
		1 OF 1	