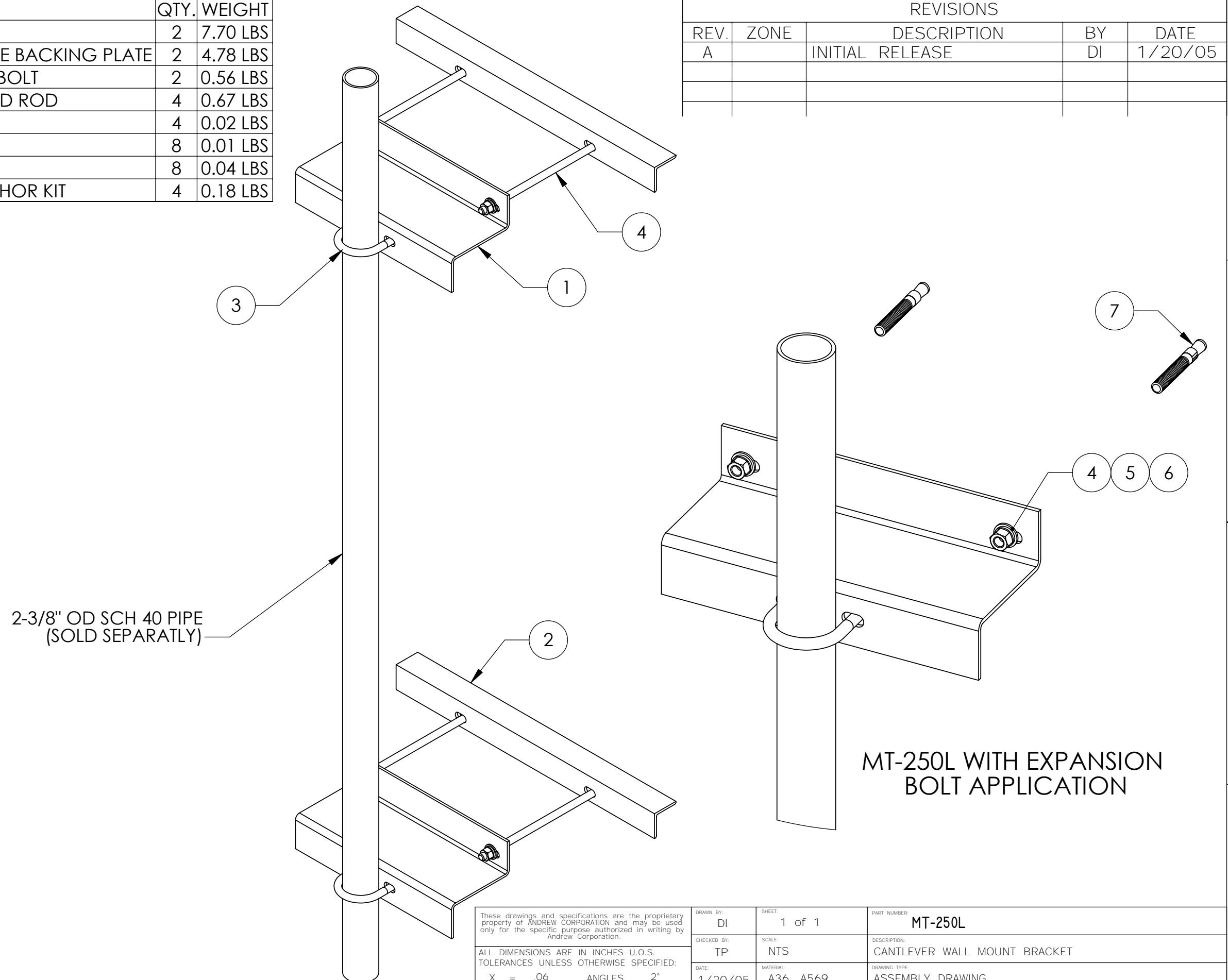


ITEM	PART NO.	DESCRIPTION	QTY.	WEIGHT
1	MTC6674L.02	Z-BRACKET WALL MOUNT	2	7.70 LBS
2	MTC6674.01	CANTILEVER SLOTTED HOLE BACKING PLATE	2	4.78 LBS
3	GUB-4240	1/2" X 2-1/2" X 4" GALV U-BOLT	2	0.56 LBS
4	MT-379	1/2" X 12" GALV. THREADED ROD	4	0.67 LBS
5	GWF-04	1/2" GALV FLAT WASHER	4	0.02 LBS
6	GWL-04	1/2" GALV LOCK WASHER	8	0.01 LBS
7	GN-04	1/2" GALV HEX NUT	8	0.04 LBS
8	MT-271	1/2" X 3-3/4" WEDGE ANCHOR KIT	4	0.18 LBS

REVISIONS				
REV.	ZONE	DESCRIPTION	BY	DATE
A		INITIAL RELEASE	DI	1/20/05



2-3/8" OD SCH 40 PIPE
(SOLD SEPARATLY)

MT-250L WITH EXPANSION
BOLT APPLICATION

<small>These drawings and specifications are the proprietary property of ANDREW CORPORATION and may be used only for the specific purpose authorized in writing by Andrew Corporation.</small> ALL DIMENSIONS ARE IN INCHES U.O.S. TOLERANCES UNLESS OTHERWISE SPECIFIED: .X = .06 ANGLES 2° .XX = .03 FRACTIONS 1/32 .XXX = .010 REMOVE BURRS AND BREAK EDGES .005 DO NOT SCALE THIS PRINT	DRAWN BY: DI	SHEET: 1 of 1	PART NUMBER: MT-250L
	CHECKED BY: TP	SCALE: NTS	DESCRIPTION: CANTILEVER WALL MOUNT BRACKET
	DATE: 1/20/05	MATERIAL: A36, A569	DRAWING TYPE: ASSEMBLY DRAWING
	REVISION: A	FINISH: GALV A123	WEIGHT: 29.96 LBS

