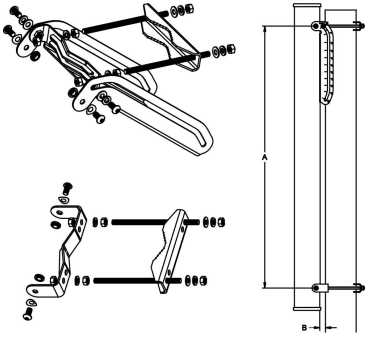


T-095-S4



Adjustable Tilt Pipe Mounting Kit for 2.0"-4.5" (50-115mm) OD round members for panel antennas. Includes 2 clamp sets.

General Specifications

Application	Outdoor
Includes	Brackets Hardware
Package Quantity	1

Mechanical Specifications

Color	Silver
Material Type	Galvanized steel Stainless steel
Mechanical Tilt	0°-10°

Dimensions

Antenna-to-Pipe Distance	19.0 mm 0.7 in
Bracket-to-Bracket Distance	1425.0 mm 56.1 in
Compatible Diameter, maximum	115.0 mm 4.5 in
Compatible Diameter, minimum	50.0 mm 2.0 in
Compatible Length, maximum	2150.0 mm 84.6 in
Compatible Length, minimum	1600.0 mm 63.0 in
Net Weight	2.1 kg 4.6 lb

Regulatory Compliance/Certifications

Agency	Classification
RoHS 2011/65/EU	Compliant by Exemption
ISO 9001:2015	Designed, manufactured and/or distributed under this quality management system
China RoHS SJ/T 11364-2014	Above Maximum Concentration Value (MCV)

