

SSPX310M

4-port sector antenna, 4x 3300–3800 MHz, 65° HPBW, manual electrical tilt (not upgradeable)

Electrical Specifications

Frequency Band, MHz	3300–3550	3550–3800
Gain, dBi	17.5	17.7
Beamwidth, Horizontal, degrees	65	62
Beamwidth, Vertical, degrees	7.3	6.7
Beam Tilt, degrees	0–10	0–10
USLS (First Lobe), dB	18	18
Front-to-Back Ratio at 180°, dB	30	30
CPR at Boresight, dB	23	20
CPR at Sector, dB	12	8
Isolation, Cross Polarization, dB	30	30
Isolation, Inter-band, dB	30	30
VSWR Return Loss, dB	1.43 15.0	1.43 15.0
PIM, 3rd Order, 2 x 20 W, dBc	-140	-140
Input Power per Port, maximum, watts	150	150
Polarization	±45°	±45°
Impedance	50 ohm	50 ohm

Electrical Specifications, BASTA*

Frequency Band, MHz	3300–3550	3550–3800
Gain by all Beam Tilts, average, dBi	17.2	17.4
Gain by all Beam Tilts Tolerance, dB	±0.3	±0.3
Gain by Beam Tilt, average, dBi	0 ° 17.2 5 ° 17.2 10 ° 17.1	0 ° 17.5 5 ° 17.5 10 ° 17.2
Beamwidth, Horizontal Tolerance, degrees	±2.8	±2.3
Beamwidth, Vertical Tolerance, degrees	±0.2	±0.2
USLS, beampeak to 20° above beampeak, dB	18	18
Front-to-Back Total Power at 180° ± 30°, dB	27	26
CPR at Boresight, dB	23	20
CPR at Sector, dB	13	8

* CommScope® supports NGMN recommendations on Base Station Antenna Standards (BASTA). To learn more about the benefits of BASTA, [download the whitepaper Time to Raise the Bar on BSAs](#).

General Specifications

Operating Frequency Band	3300 – 3800 MHz
Antenna Type	Sector
Band	Single band
Performance Note	Outdoor usage

Mechanical Specifications

RF Connector Quantity, total	4
RF Connector Quantity, high band	4
RF Connector Interface	N Female
Grounding Type	RF connector inner conductor and body grounded to reflector and mounting bracket
Radiator Material	Aluminum Low loss circuit board
Radome Material	ASA, UV stabilized
RF Connector Location	Bottom
Wind Speed, maximum	250 km/h 155 mph

Dimensions

Length	752.0 mm 29.6 in
Width	300.0 mm 11.8 in
Depth	115.0 mm 4.5 in
Net Weight, without mounting kit	7.5 kg 16.5 lb

Packed Dimensions

Length	944.0 mm 37.2 in
Width	356.0 mm 14.0 in
Depth	201.0 mm 7.9 in
Shipping Weight	10.0 kg 22.0 lb

Regulatory Compliance/Certifications

Agency	Classification
RoHS 2011/65/EU	Compliant by Exemption
ISO 9001:2015	Designed, manufactured and/or distributed under this quality management system
China RoHS SJ/T 11364-2014	Above Maximum Concentration Value (MCV)



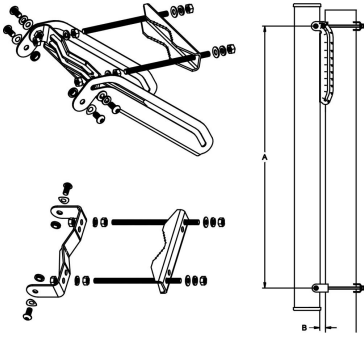
Included Products

T-095-S4 — Adjustable Tilt Pipe Mounting Kit for 2.0"-4.5" (50-115mm) OD round members for panel antennas. Includes 2 clamp sets.

* Footnotes

Performance Note Severe environmental conditions may degrade optimum performance

T-095-S4



Adjustable Tilt Pipe Mounting Kit for 2.0"-4.5" (50-115mm) OD round members for panel antennas. Includes 2 clamp sets.

General Specifications

Application	Outdoor
Includes	Brackets Hardware
Package Quantity	1

Mechanical Specifications

Color	Silver
Material Type	Galvanized steel Stainless steel
Mechanical Tilt	0°-10°

Dimensions

Antenna-to-Pipe Distance	19.0 mm 0.7 in
Bracket-to-Bracket Distance	1425.0 mm 56.1 in
Compatible Diameter, maximum	115.0 mm 4.5 in
Compatible Diameter, minimum	50.0 mm 2.0 in
Compatible Length, maximum	2150.0 mm 84.6 in
Compatible Length, minimum	1600.0 mm 63.0 in
Net Weight	2.1 kg 4.6 lb

Regulatory Compliance/Certifications

Agency	Classification
RoHS 2011/65/EU	Compliant by Exemption
ISO 9001:2015	Designed, manufactured and/or distributed under this quality management system
China RoHS SJ/T 11364-2014	Above Maximum Concentration Value (MCV)

