

UPK010SP

Adjustable Tilt Pipe Mounting Kit for 2.0"-4.5" (50-115mm) OD round members for panel antennas. Includes 2 clamp sets.; Adjustable Tilt Pipe Mounting Kit for 3.0" (75mm) OD round members for panel antennas. Includes 2 clamp sets.; Omni Antenna Steering Pole

This product will be discontinued on: March 27, 2020

General Specifications

Application	Outdoor
Includes	Brackets Hardware
Package Quantity	1

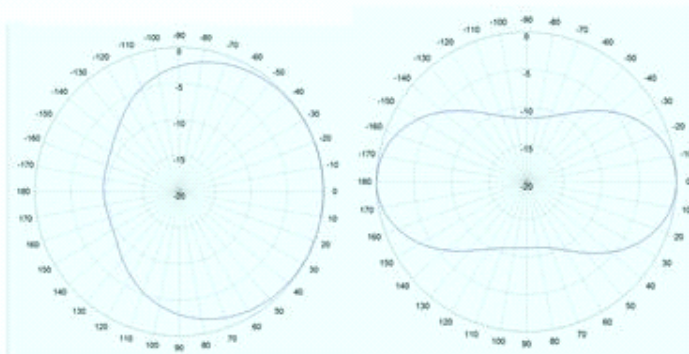
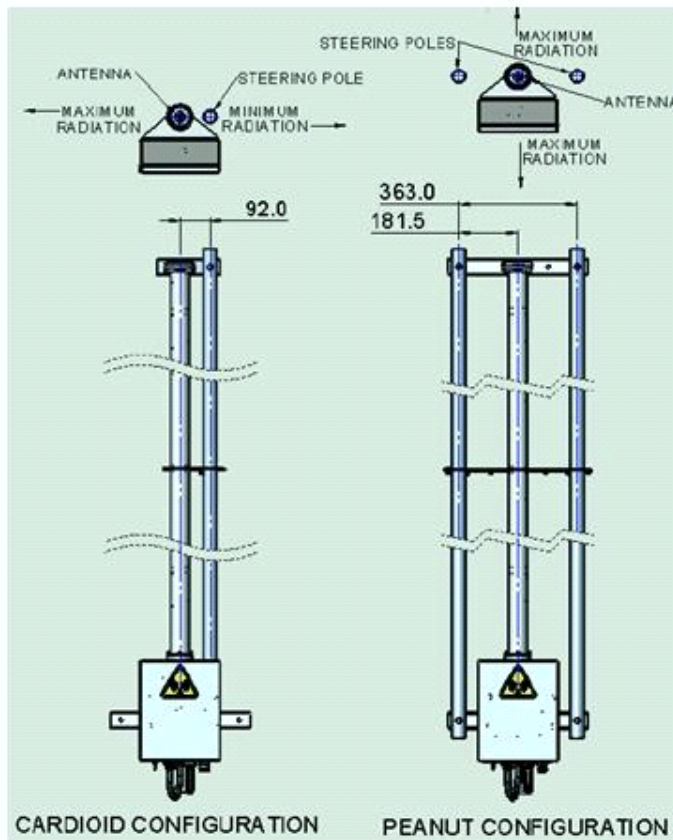
Mechanical Specifications

Color	Silver
Material Type	Aluminum Stainless steel

Dimensions

Compatible Diameter, maximum	114.3 mm 4.5 in
Compatible Diameter, minimum	76.2 mm 3.0 in
Net Weight	21.3 kg 47.0 lb

Outline Drawing



Cardioid

Peanut

Regulatory Compliance/Certifications

UPK010SP

Agency

RoHS 2011/65/EU

ISO 9001:2015

China RoHS SJ/T 11364-2014

Classification

Compliant by Exemption

Designed, manufactured and/or distributed under this quality management system

Above Maximum Concentration Value (MCV)

