



FlexCab

Metal street cabinet

The FlexCab metal street cabinet, designed for FTTC applications, accommodates passive fiber and copper connectivity as well as electronic equipment.

The cabinet's basic design consists of:

- A small door with double locking option (to be equipped with a profile cylinder locks)
- One small compartment to accommodate electronic equipment on a pre-installed mounting plate
- A large compartment suitable for a 19-inch or ETSI rack for installation of typical telecommunication panel equipment; space for copper connectivity racks
- Battery panel below the base plate
- Access to battery compartment only through door

The interior racks as well as entry points for copper and fiber cables can be designed according to customer specifications.

FlexCab cabinets meet all the requirements for outdoor environments, such as weather-protection (heat, cold, moisture, water), protection against burglary, etc.

Features

- Double wall construction for improved heat removal
- Outer walls made of double-walled aluminum
- Inner construction consists of powder-coated aluminum
- 19-inch/ ETSI stainless steel frame for equipment mounting
- Aperture angle of the doors up to 140°
- Hinges and all screws inaccessible from outside
- Burglar resistance (according to WK2 security standards)
- Removable cabinet body without interruption of service
- Removable (divisible) cabinet base (allows replacement in case of damage due to violence)

FlexCab

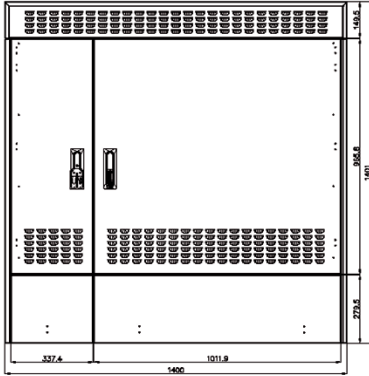
Metal street cabinet

Dimensions

Height: 1400mm

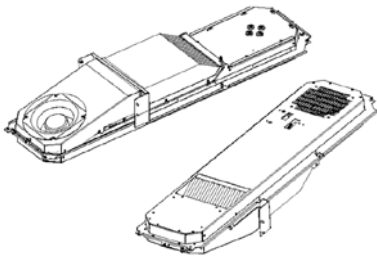
Depth: 420mm

Width: 1400mm



Air-to-air heat exchanger

- Absorbs heat of internal and external circulated air
- Basic components include internal fan, outer fan, control board, connectors, temperature sensor



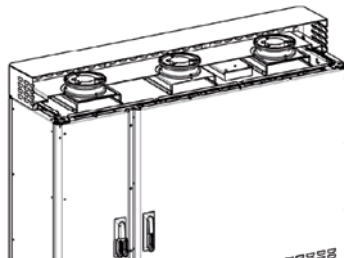
Climatization

Passive climatization

- Strong enhanced air channel between roof and wall
- Enhanced air outlet
- Enhanced air inlet

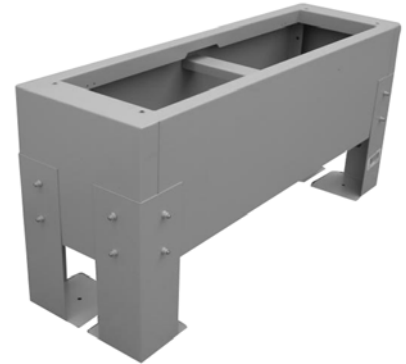
Active climatization Roof fan

- Roof fans increase air speed in space between outer and inner wall
- Increased heat removal
- No ingress of dust or humidity into IP55 protected compartment



Earth plinth

- Made of stainless steel
- Adjustable in height
- Optimized for underground work
- Size and screw holes adapted for design of other commercially available cabinets



Ordering Information

Description	Part Number
FlexCab metal street cabinet, grey (RAL 7038), with integrated roof fan, 19"/ ETSI rack, two racks to be equipped with LSA-PLUS® cable heads	OEC-7088 1 701-00
FlexCab metal street cabinet, grey (RAL 7038), with integrated roof fan, 19"/ ETSI rack, two bays of profile rods to be equipped with LSA PROFIL® modules	OEC-7088 1 401-00
Earth plinth for FlexCab metal street cabinet	OEC-7089 1 201-01

COMMScope®

www.commscope.com

Visit our website or contact your local CommScope representative for more information.

© 2016 CommScope, Inc. All rights reserved.

FlexCab, LSA-PLUS, LSA PROFIL and all trademarks identified by ® or ™ are registered trademarks or trademarks, respectively, of CommScope, Inc. This document is for planning purposes only and is not intended to modify or supplement any specifications or warranties relating to CommScope products or services.

PS-322680-EU (01/16) (Reviewed from tc-1129-ds)