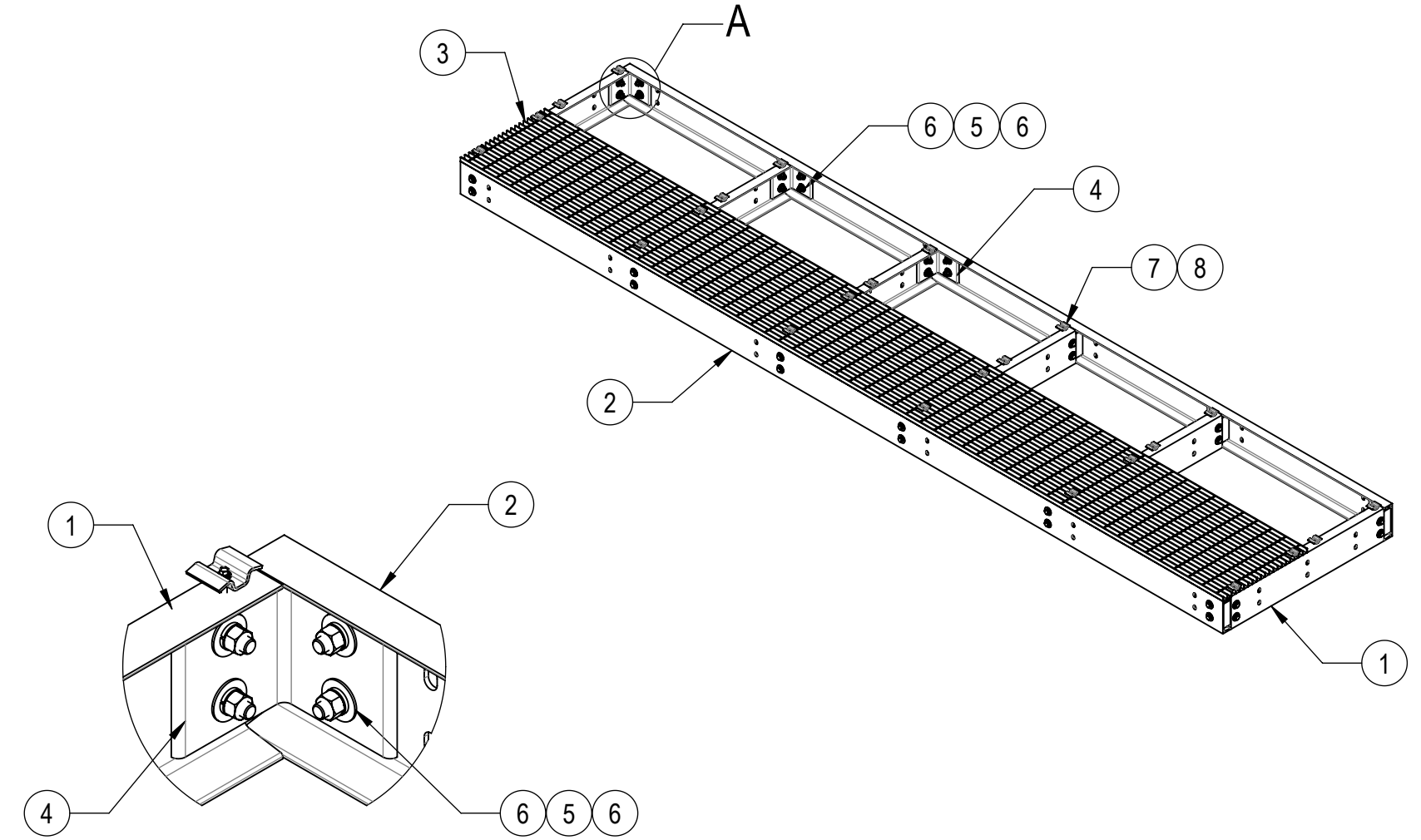
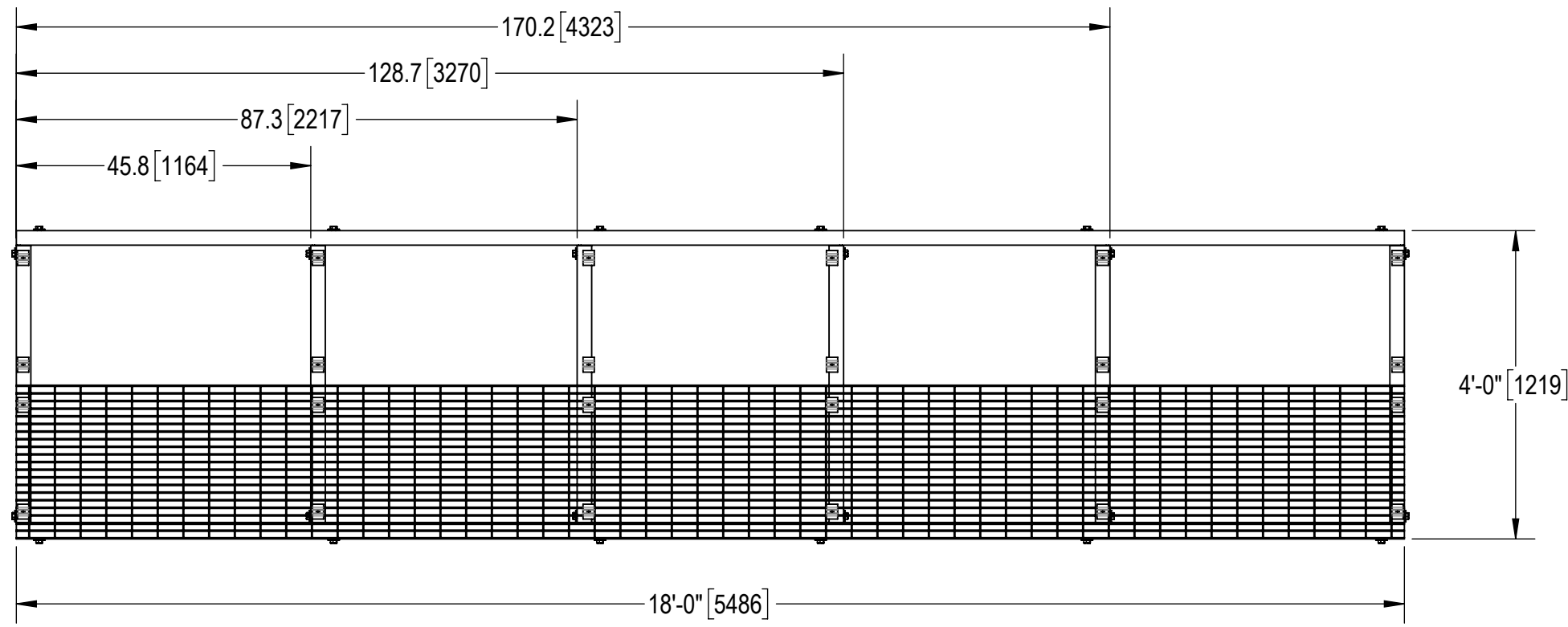
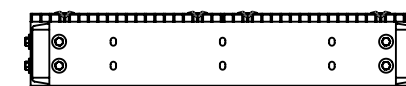
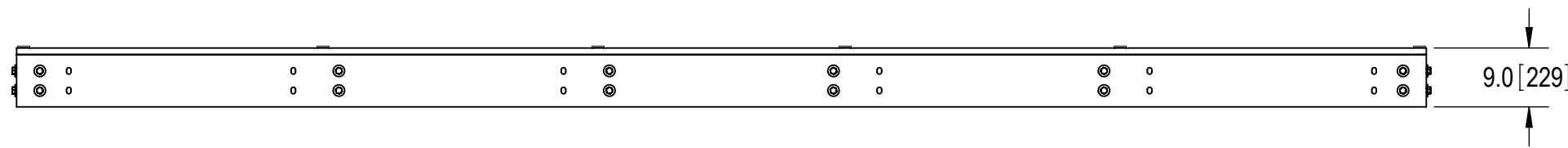


- 1.0 GENERAL NOTES  
 1.1 ALL METRIC DIMENSIONS ARE IN BRACKETS [X.X]  
 1.2 FOR PATENT INFO: <https://www.cs-pat.com>  
 2.0 DESIGN NOTES  
 3.0 MANUFACTURING/SPECIAL REQUIREMENTS  
 3.1 TIGHTEN ALL BOLTS SECURING FLAT PLATES BY THE TURN-OF-NUT METHOD. TIGHTEN ALL U-BOLTS USING TURN-OF-NUT METHOD WITH ATTENTION TO LEAVE EQUAL DISTANCE AND EQUAL FORCE ON EACH LEG OF THE U-BOLT.  
 3.2 BAR GRATING ALIGNED ACROSS CENTER CHANNELS.  
 4.0 TEST  
 5.0 PACKAGING  
 5.1 PACKAGING SHALL MEET COMMSCOPE REQUIREMENTS PER DOCUMENT IS-PL-3005  
 5.2 PRINTED DOCUMENT TO BE PLACED INSIDE POLYBAG AND THEN IN SHIPPING CONTAINER  
 5.3 EXTRA HARDWARE MAY BE SUPPLIED, BAGGED AND SHIPPED

REVISIONS			
REV.	DESCRIPTION	DATE	APPROVED
A	INITIAL RELEASE	MSM 04APR12	TP
B	UPDATED DRAWING FORMAT; MTC390324 AND TS1220 WAS GCM03	LL1090 05MAR24	BCROSS 40190172CMO



DETAIL A  
SCALE 1 : 6



HIDE BAR GRATING FOR CLARITY

COMPONENT PART NUMBERS PROVIDED FOR ASSEMBLY PURPOSES;  
INDIVIDUAL COMPONENTS MAY BE SHIPPED AS PARTS WITHIN AN INCLUDED KIT.

ITEM NO.	PART NUMBER	DESCRIPTION	QTY.	WEIGHT	NOTE NO.
1	MTC7902040702	4' CENTER CHANNEL	6	40.85 LBS	
2	MTC7902101801	18' SIDE CHANNEL	2	204.61 LBS	
3	MTC7902101802	24" X 18' BAR GRATING	2	244.42 LBS	
4	MTC790203	CHANNEL ADAPTER ANGLE	12	7.07 LBS	
5	GB-05205	5/8" X 2" GALV BOLT KIT	48	0.26 LBS	
6	GWF-05	5/8" GALV FLAT WASHER, 1.7OD	96	0.06 LBS	
7	MTC390324	BAR GRATING CLIP	24	0.17 LBS	
8	TS1220	12-24 X 2" SELF DRILLING SCREW	24	0.03 LBS	

<b>COMMSCOPE, INC. OF NORTH CAROLINA</b>								
TOLERANCES			SAP MATERIAL MASTER					
1 PLACE .X[X] ± 0.12[3.0]		3 PLACE .XXX[X] ± 0.03[0.8]		<b>EQ-P0418-B</b>				
2 PLACE .XX[X] ± 0.06[1.5]		ANGLES ± 2°						
FINISH			MATERIAL					
UNLESS OTHERWISE SPECIFIED DIMENSIONS ARE IN INCHES INTERPRET PER ANSI Y 14.5M-1994	NAME	DATE	<b>4' X 18' EQUIPMENT PLATFORM BASE</b>					
	CE MSM	04APR12						
	RW LL1090	03/12/2024	SCALE <b>1:24</b>	DOCUMENT NO. <b>EQ-P0418-B</b>				
	AD YW1045	03/18/2024						
	RE YMENG	04/02/2024	ECN 40190172CMO					
SIZE	Auth Group	INSL	MODEL		DRAWING		SHEET 1 OF 1	
<b>C</b>			VERSION	STATUS	REVISION	VERSION		STATUS
			01	RE	B	01	RE	B