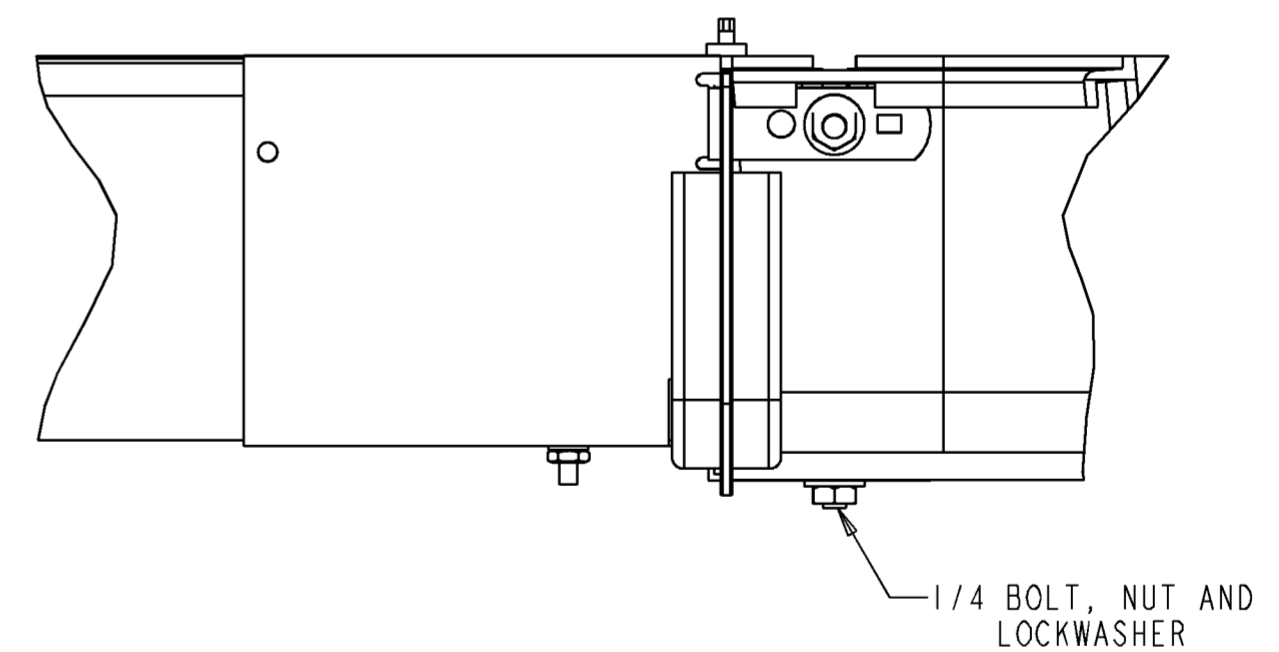
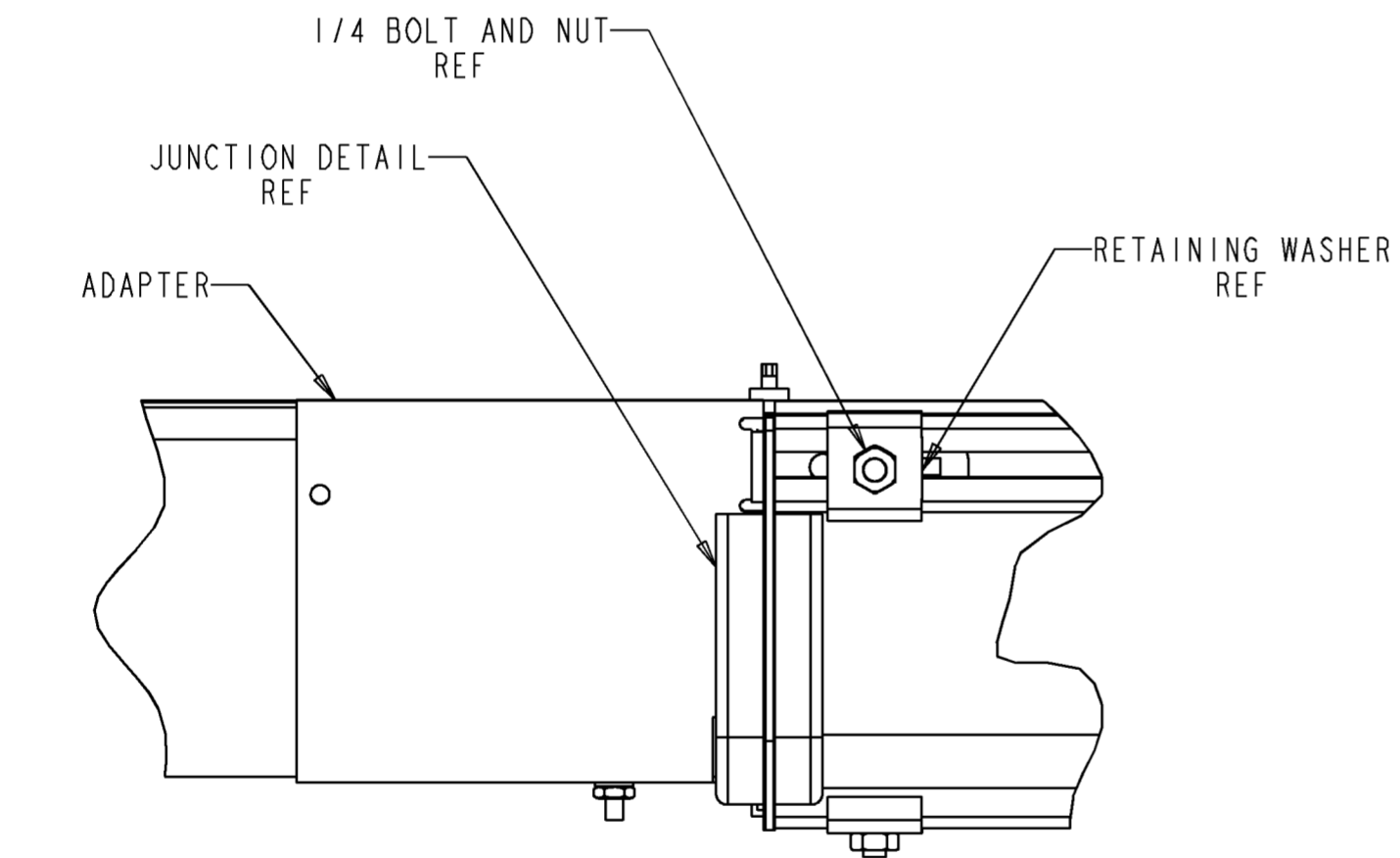
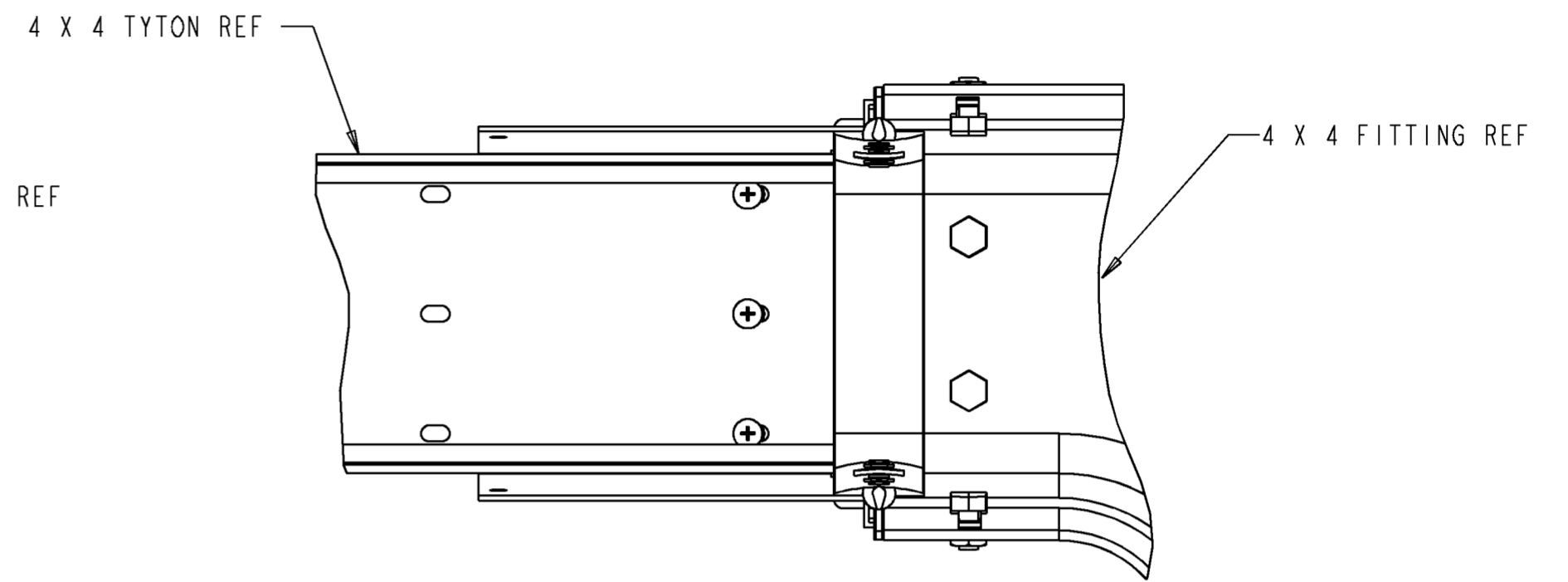
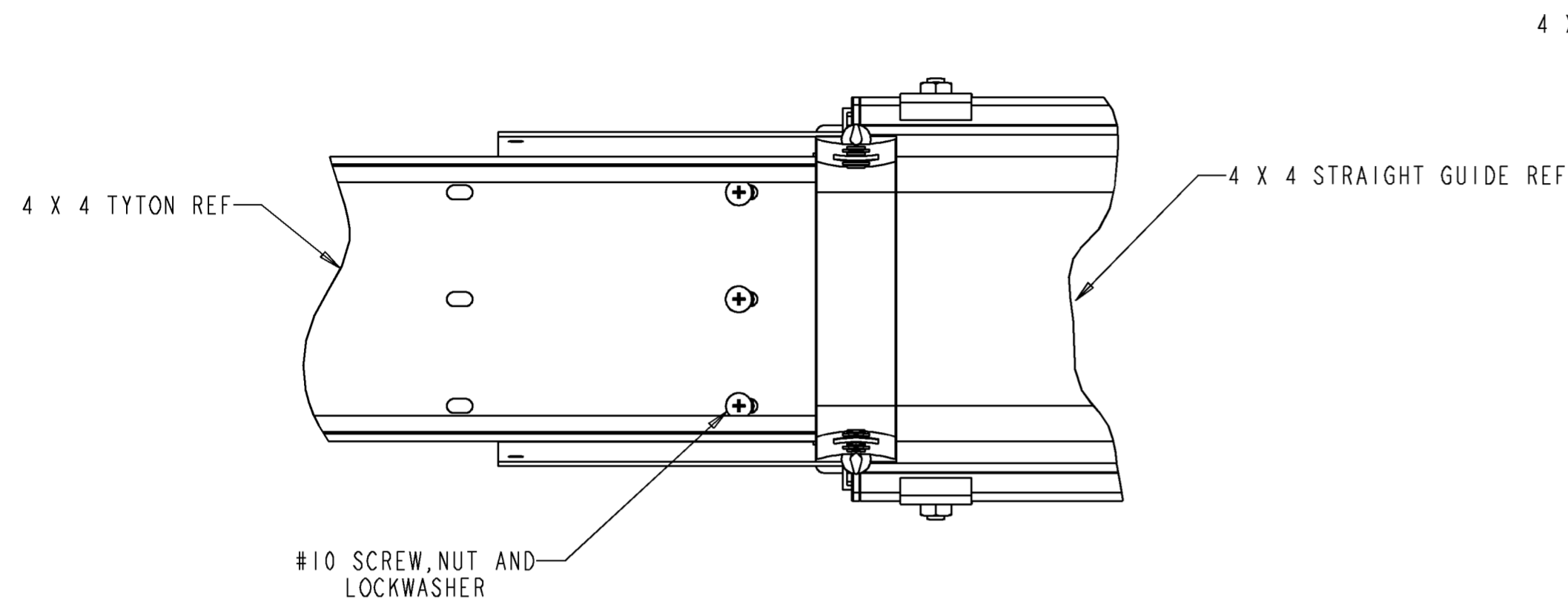


REV	MCO	DWN	DATE
D	20213008	LXQ	15-MAR-07
E	20261832	JSL	30-MAR-09



**VIEW SHOWING ADAPTOR ATTACHED TO STRAIGHT GUIDE**

**VIEW SHOWING ADAPTOR ATTACHED TO FITTING**

**NOTES:**

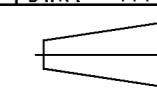
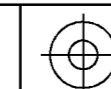
I. PARTS INCLUDED WITH KIT AS FOLLOWS:

- (1) ADAPTOR 4 X 4
- (3) SCREW 10-32
- (3) NUT 10-32
- (3) WASHER #10 LOCK
- (1) 4 X 4 CONNECTION KIT

<b>FGSB-ACC041</b>	BLACK
<b>FGS-ACC041</b>	YELLOW
<b>CATALOG</b>	<b>COLOR</b>



INFORMATION ON THIS DOCUMENT IS PROPRIETARY TO ADC AND SHALL NOT BE USED, COPIED, REPRODUCED OR DISCLOSED IN WHOLE OR IN PART WITHOUT WRITTEN CONSENT OF ADC.		TITLE KIT, 4" FGS-4" TYTON ADPTR (INSTALLATION DRAWING)	
ALL DIMS AND TOLERANCES ARE INCHES UNLESS OTHERWISE SPECIFIED	.XX:±N/A .XXX:±N/A ANGULAR:±N/A	C SIZE	DRAWING NUMBER 4-29000-4416
DO NOT SCALE DRAWING	ENGR: BRUCE MUSOLF DWN: MICHAEL VILLAS	SHT. 1 OF 1	



**DIMENSIONS IN INCHES  
THIRD ANGLE PROJECTION**