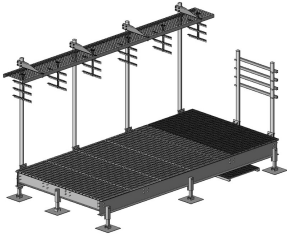


EQ-PPC



Post Power Telco Rack Kit for EQ-P Series Platforms, kit of two

Product Classification

Product Type Equipment platform system

General Specifications

Mounting EQ series platform bases

Dimensions

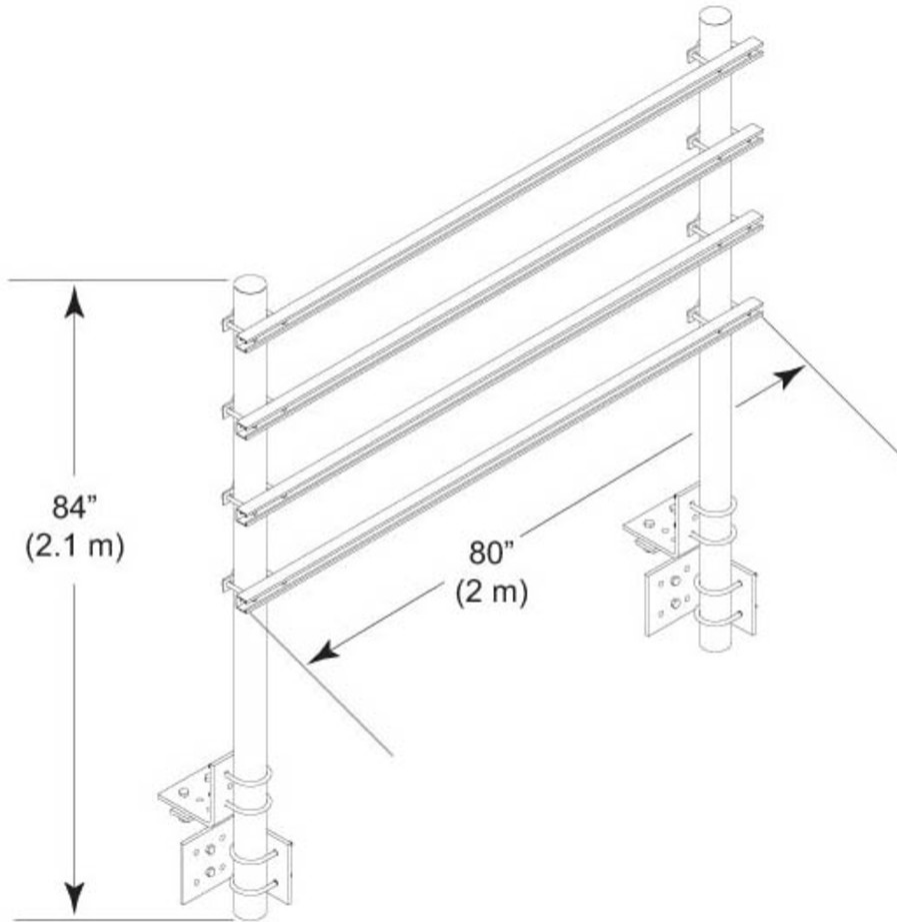
Height 304.8 mm | 12 in

Width 2032 mm | 80 in

Length 2,133.6 mm | 84 in

EQ-PPC

Outline Drawing



Material Specifications

Material Type Hot dip galvanized steel

Packaging and Weights

Included Brackets | Hardware | Posts | Rungs

Packaging quantity 1

Weight, net 118.9 kg | 262.129 lb

Regulatory Compliance/Certifications

Agency **Classification**

EQ-PPC

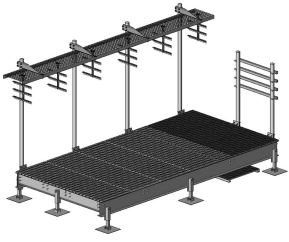
CHINA-ROHS	Above maximum concentration value
ISO 9001:2015	Designed, manufactured and/or distributed under this quality management system
ROHS	Compliant/Exempted
UK-ROHS	Compliant/Exempted



Included Products

- EQ-PB – Post Brackets for EQ-P Series Platforms

EQ-PB



Post Brackets for EQ-P Series Platforms

Product Classification

Product Type Equipment platform system

General Specifications

Mounting EQ series platform bases

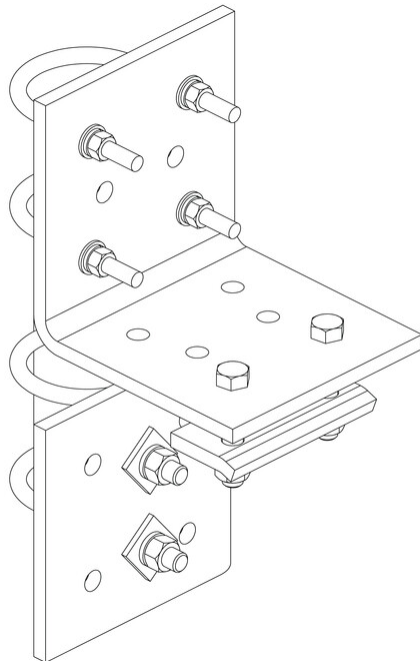
Dimensions

Height 203.2 mm | 8 in

Width 203.2 mm | 8 in

Length 304.8 mm | 12 in

Outline Drawing



Material Specifications

EQ-PB

Material Type Hot dip galvanized steel

Packaging and Weights

Included Brackets | Hardware

Packaging quantity 1

Weight, net 32.7 kg | 72.091 lb

Regulatory Compliance/Certifications

Agency	Classification
CHINA-ROHS	Above maximum concentration value
ISO 9001:2015	Designed, manufactured and/or distributed under this quality management system
ROHS	Compliant/Exempted
UK-ROHS	Compliant/Exempted

