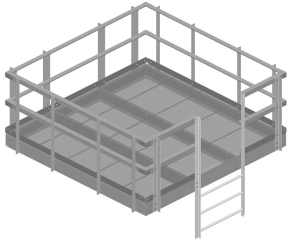


MTC4037HR



8'x8' Equipment Platform Handrail Kit with Toe Board (for MTC4037 platforms)

Product Classification

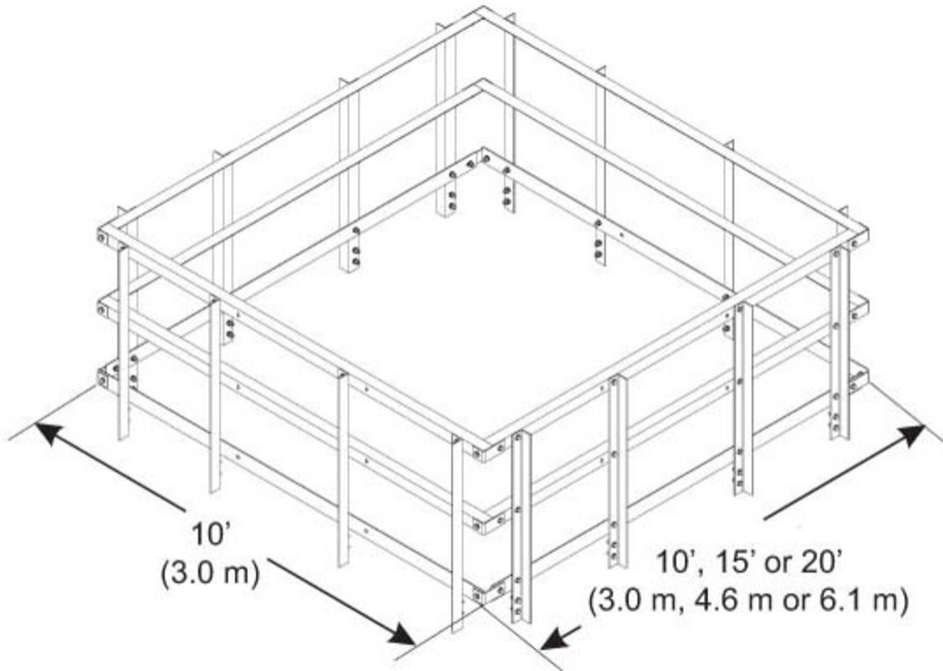
Product Type Equipment platform system

Dimensions

Height 1,219.2 mm | 48 in
Width 2,438.4 mm | 96 in
Length 2,438.4 mm | 96 in

MTC4037HR

Outline Drawing



Material Specifications

Material Type Hot dip galvanized steel

Packaging and Weights

Included Angle brackets | Hardware | Posts

Packaging quantity 1

Weight, net 641.8 kg | 1,414.925 lb

Regulatory Compliance/Certifications

Agency

ISO 9001:2015

Classification

Designed, manufactured and/or distributed under this quality management system

