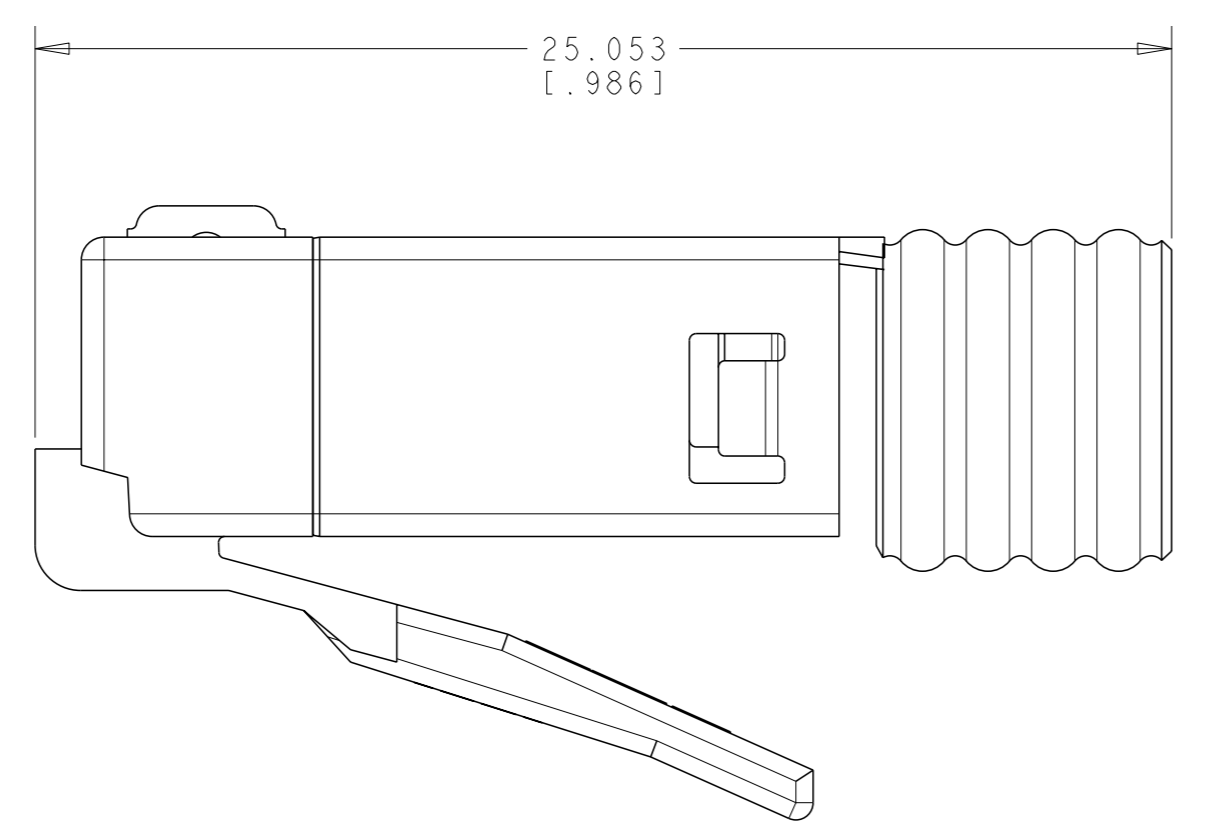
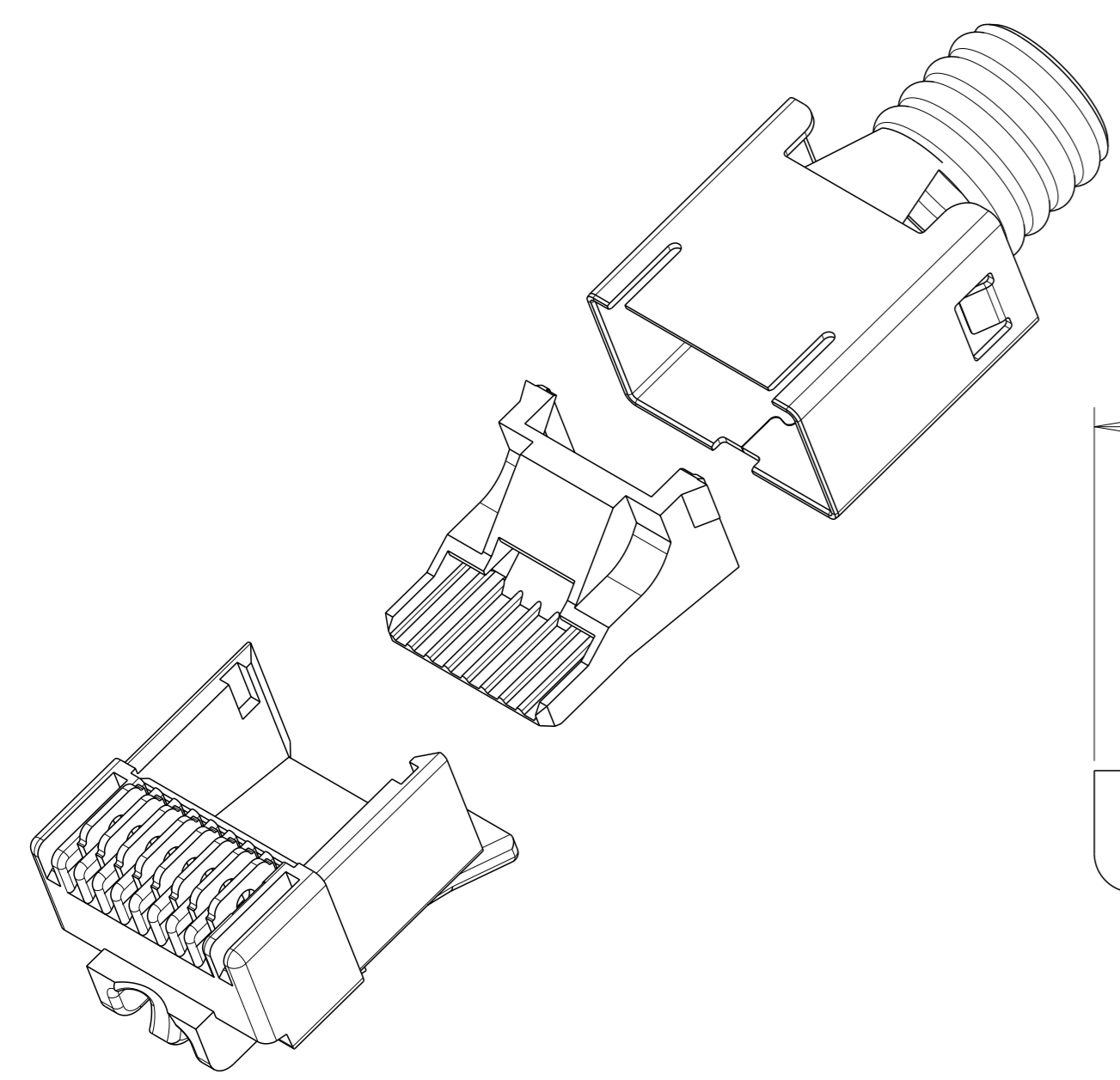


REVISIONS				
#	DATE	DESCRIPTION	OWN	APVD
A	14JULY2015	RLSD: 40023241MCO	GG	DC
A1	15AUG2016	REV: 40032903MCO	GG	JG

MP-6AS-

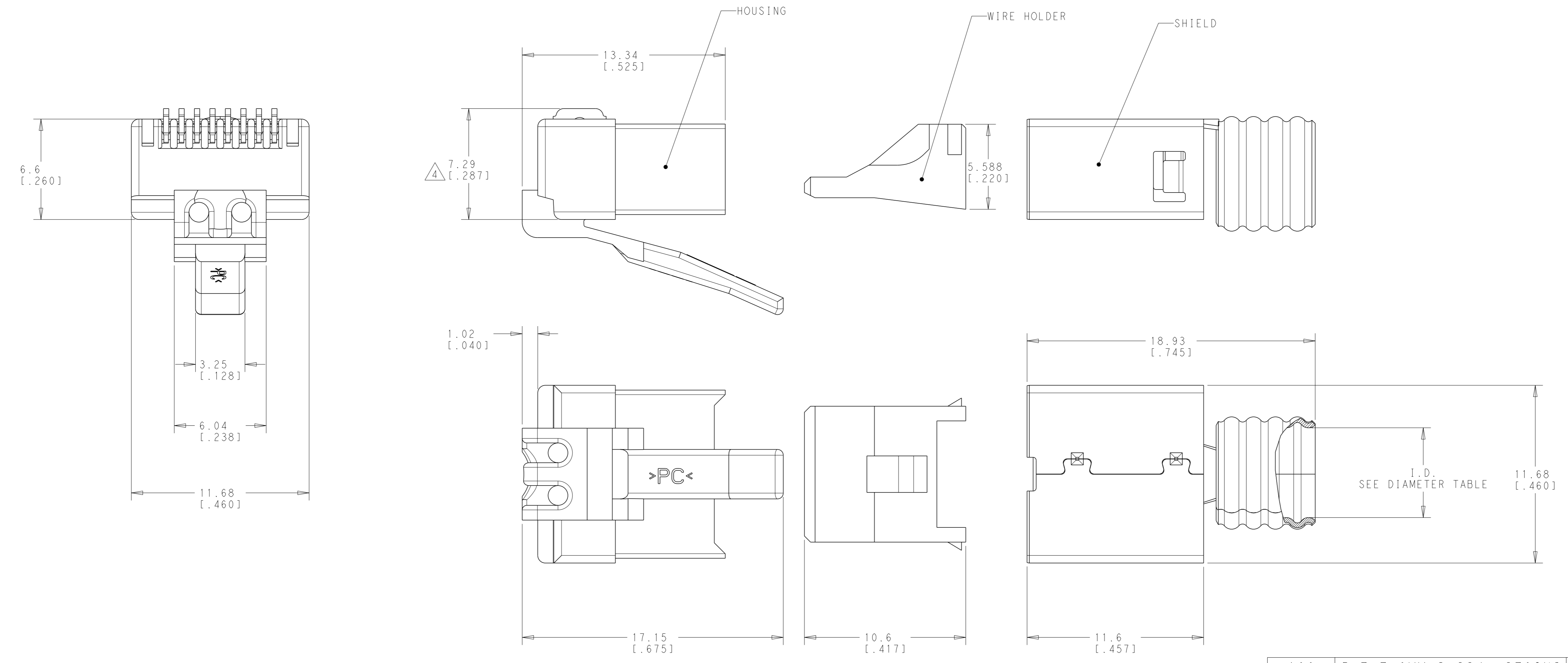


DIAMETER TABLE	
B:	5.1 - 6.0 MM [.201 - .236] IN
C:	5.7 - 7.0 MM [.224 - .276] IN

PACKAGE SIZE	
5	= 500
1	= 100

- △ MATERIAL: HOUSING - 94V-0 RATED POLYCARBONATE CLEAR
 TERMINAL - 0.305 [.012] THICK PHOSPHOR BRONZE PLATED WITH 1.27 μm [.00005] MINIMUM THICK GOLD IN LOCALIZED AREA, OVER 2.54 μm [.000100] MINIMUM THICK NICKEL UNDERPLATE.
 WIRE HOLDER - POLYCARBONATE CLEAR.
 SHIELD - STAINLESS STEEL WITH 0.8 μm [.000031] MINIMUM NICKEL PLATED.
- △ DIMENSIONS ARE NOMINAL UNLESS OTHERWISE SPECIFIED.
- 3. PLUG WILL ACCEPT A 24-26 AWG STRANDED CONDUCTOR WITH A SINGLE INSULATION OF 0.89 - 1.09 [.035 - .043] OR 23-24 AWG SOLID CONDUCTOR WITH A SINGLE INSULATION OF 0.89 - 1.09 [.035 - .043]. THE SUM OF DIAMETERS FOR ALL EIGHT CONDUCTORS WITHIN THE CABLE MUST NOT EXCEED 7.8MM.
- △ 4. TERMINATED DIMENSION 5.89 [.232] - 6.15 [.242].
- 5. SLIM-LINE MODULAR PLUG BOOT, PN 2153256-1 FOR "B" VERSION AND PN 2153257-1 FOR "C" VERSION.
- 6. UL RECOGNIZED: FILE NUMBER E81956.

FULLY ASSEMBLED



PACKAGE	CABLE DIAMETER	MATERIAL	CATALOG NUMBER
100	5.7-7.0MM [.224-.276IN]	6-2111984-3	MP-6AS-C-1
500	5.7-7.0MM [.224-.276IN]	6-2111984-2	MP-6AS-C-5
100	5.1-6.0MM [.201-.236IN]	6-2111981-3	MP-6AS-B-1
500	5.1-6.0MM [.201-.236IN]	6-2111981-2	MP-6AS-B-5

THIS DRAWING IS A CONTROLLED DOCUMENT. OWN: S. GARRETT 17APR2015, CHK: J. GENIAC 17APR2015, APVD: J. GENIAC 17APR2015. NAME: KIT, MOD PLUG, CATEGORY 6A, SHIELDED, CABLE RANGE 5.1 TO 7.0. MATERIAL: [Symbol] FINISH: [Symbol]. WEIGHT: -. SIZE: A1. SCALE: 6:1. SHEET: 1 OF 1. REV: A1. CUSTOMER DRAWING. ©=2843000