

EASIA[®]X Cable Prep Tool

for LDF5, AVA5, AL5 and VXL5 Style Cables



Description

The EASIA[®]X Cable Prep Tool quickly cuts the cable jacket and both conductors in one operation. Cuts are uniform and precisely spaced for accurate and easy fitting of the connectors.

Approximately 20 cuts can be made before replacing the conductor cutter blade. The jacket cutter blade can make approximately 100 clean cuts.

Cables can be prepared for use with either standard (STD), ring flare (RC), positive stop (PS), or one-piece (RPC) type connectors by securing the jacket cutter blade in the appropriate position.

The cutting blades are easily replaced by pulling off the blade slot access cover. Removing the opposite cover provides access to stored blades.

MCPT tool may be used to prepare cable for the following type connectors

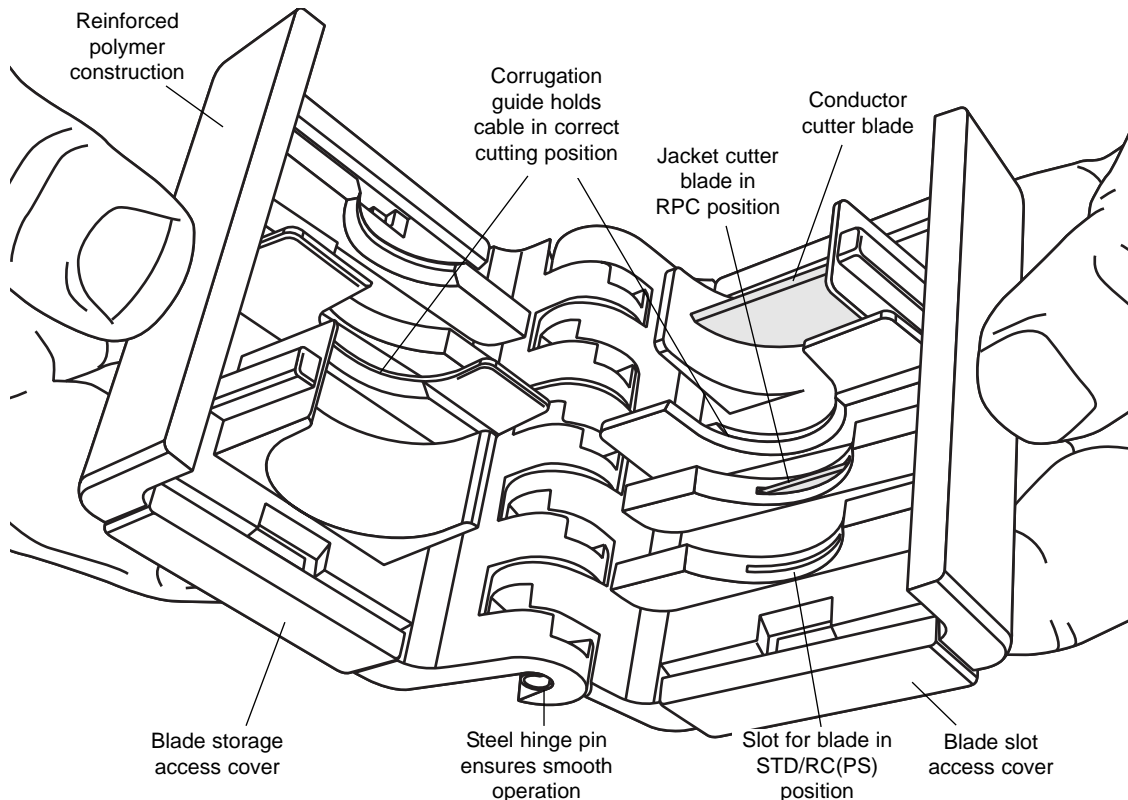
Standard	One-Piece	Ring Flare	Positive Stop
L5PNM	L5PNF-RPC	L5PNF-RC	A5TDF-PS
L5PNF	L5PDM-RPC	L5PNM-RC	A5TDM-PS
L5PDR	L5PDF-RPC	L5PDF-RC	A5TNM-PS
L5PDF	L5PNM-RPC	L5PDM-RC	A5TNF-PS
L45R	V5PNM-RPC		
V5PNM	V5PNF-RPC		
V5PNF	V5PDM-RPC		
	V5PDF-RPC		

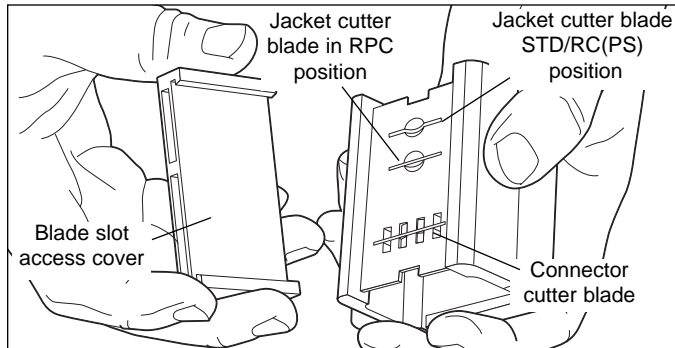
Ordering information:

- MCPT-78 Tool and 5 large blades
- MCPT-BK5 Blade Kit (5 large blades and 5 small blades) -- replacement blades for MCPT-78 tool



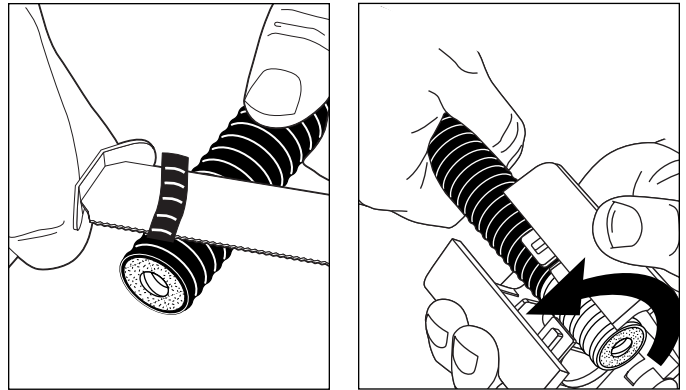
CAUTION. Be careful when handling the Cable Prep Tool to avoid accidental injury from the cutter blades.



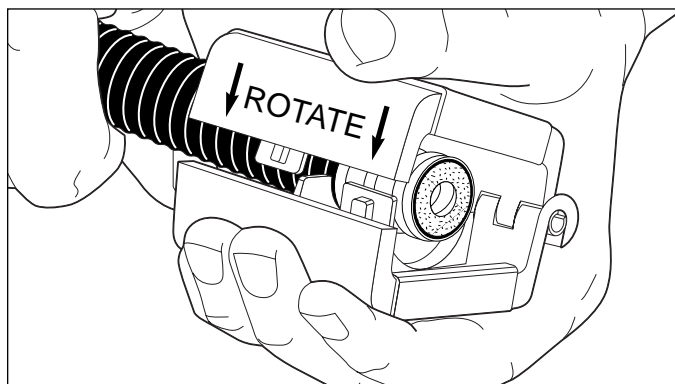


1 Check to be sure that the jacket cutter blade is in the correct position for the connector type -- STD/RC(PS) or RPC -- to be attached to the prepared cable. To change the blade position, pull off the blade slot access cover and insert the blade in the desired position and replace the cover.

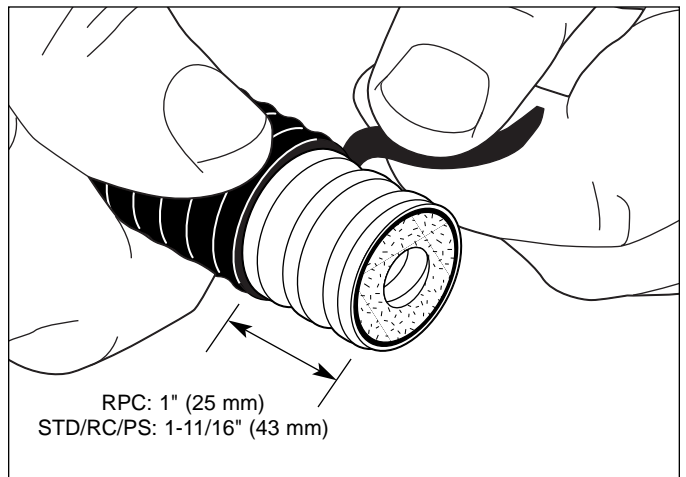
Note: For Positive Stop (PS) connectors use STD/RC jacket cutter blade position.



2 Remove about 1-1/2" (38 mm) of the jacket from the cable end by scoring and slicing the jacket. Position the tool on the cable so that the corrugation guide is about 1-1/4" (32 mm) from the cable end.



3 Lightly squeeze the tool halves together and rotate the tool counterclockwise (as viewed from the cable end) three or four revolutions to score the outer conductor. Then, firmly squeeze and rotate the tool until the cut section falls away. **Note:** Keep a firm and constant grip on the tool. Do not release the tool during rotation because this will result in an uneven cut.



4 Slit and peel the scored section of jacketing. Proceed to the connector installation bulletin.

Notice

The installation, maintenance, and removal of antenna systems requires qualified, experienced personnel. Andrew installation instructions are written for such personnel. Antenna systems should be inspected once a year by qualified personnel to verify proper installation, maintenance, and condition of equipment.

Andrew disclaims any liability or responsibility for the results of improper or unsafe installation practices.

